

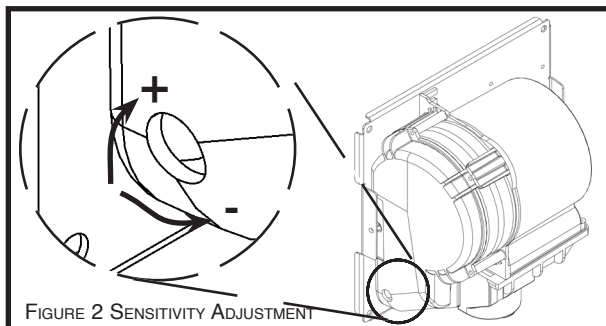
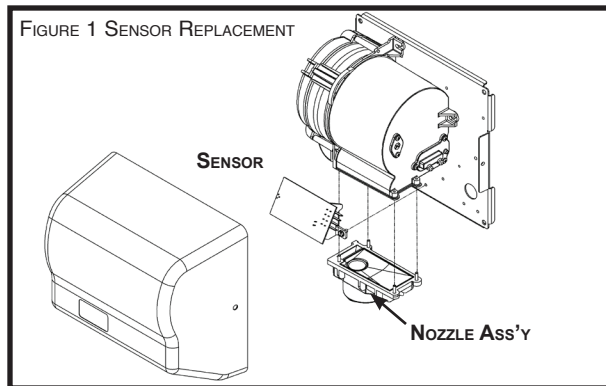
# EXTREMEAIR SENSOR REPLACEMENT INSTRUCTIONS GXT6, GXT8, EXT2, AND EXT4 SERIES ONLY

**WARNING:** DISCONNECT POWER BEFORE INSTALLING  
DESUNA LA ELECTRICIDAD ANTES DE HACER REPARACIONES

**WARNING:** CANCER AND REPRODUCTIVE HARM – [www.p65warnings.ca.gov](http://www.p65warnings.ca.gov)  
CÁNCER Y DAÑO REPRODUCTIVO – [www.p65warnings.ca.gov](http://www.p65warnings.ca.gov)

Service of a hand dryer should be performed by a licensed electrician.

1. After disconnecting power, remove the cover by loosening the two tamper-resistant screws with the security wrench provided with the dryer.
2. Carefully unplug the four electrical connectors that plug into the sensor and disconnect the two lead wires from the power supply. Make a note of which wire goes to which terminal.
3. Carefully remove the nozzle assembly from the blower housing by removing the four screws.
4. Remove the sensor from the backplate by removing the single mounting screw.
5. Install the new sensor by attaching to the backplate with the mounting screw, position sensor as high as possible. Reconnect the four electrical connectors and the power supply, replace the nozzle assembly and cover.
6. After checking the wiring, apply power and test. INCREASE sensitivity (FIGURE 2) by using a flat-blade screwdriver and CAREFULLY turning the adjustment pot located on the sensor CLOCKWISE 1/3 turn MAX. DECREASE sensitivity, turn COUNTERCLOCKWISE 1/3 Turn MAX.



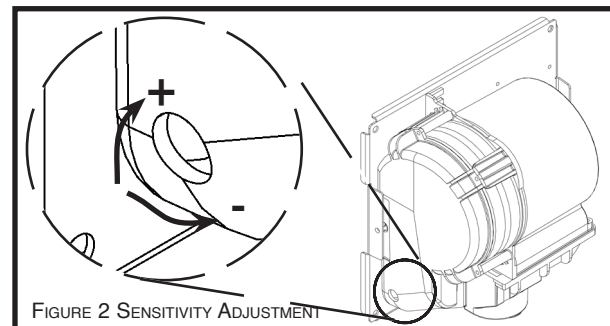
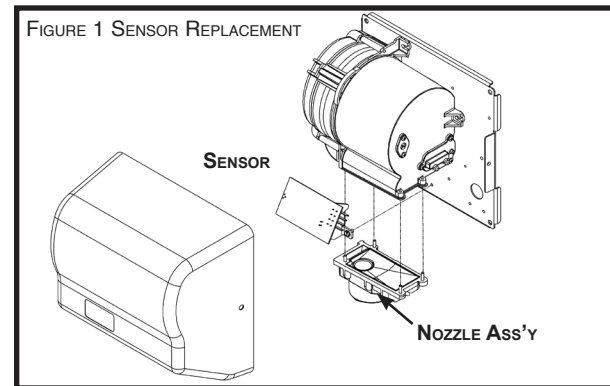
# EXTREMEAIR SENSOR REPLACEMENT INSTRUCTIONS GXT6, GXT8, EXT2, AND EXT4 SERIES ONLY

**WARNING:** DISCONNECT POWER BEFORE INSTALLING  
DESUNA LA ELECTRICIDAD ANTES DE HACER REPARACIONES

**WARNING:** CANCER AND REPRODUCTIVE HARM – [www.p65warnings.ca.gov](http://www.p65warnings.ca.gov)  
CÁNCER Y DAÑO REPRODUCTIVO – [www.p65warnings.ca.gov](http://www.p65warnings.ca.gov)

Service of a hand dryer should be performed by a licensed electrician.

1. After disconnecting power, remove the cover by loosening the two tamper-resistant screws with the security wrench provided with the dryer.
2. Carefully unplug the four electrical connectors that plug into the sensor and disconnect the two lead wires from the power supply. Make a note of which wire goes to which terminal.
3. Carefully remove the nozzle assembly from the blower housing by removing the four screws.
4. Remove the sensor from the backplate by removing the single mounting screw.
5. Install the new sensor by attaching to the backplate with the mounting screw, position sensor as high as possible. Reconnect the four electrical connectors and the power supply, replace the nozzle assembly and cover.
6. After checking the wiring, apply power and test. INCREASE sensitivity (FIGURE 2) by using a flat-blade screwdriver and CAREFULLY turning the adjustment pot located on the sensor CLOCKWISE 1/3 turn MAX. DECREASE sensitivity, turn COUNTERCLOCKWISE 1/3 Turn MAX.



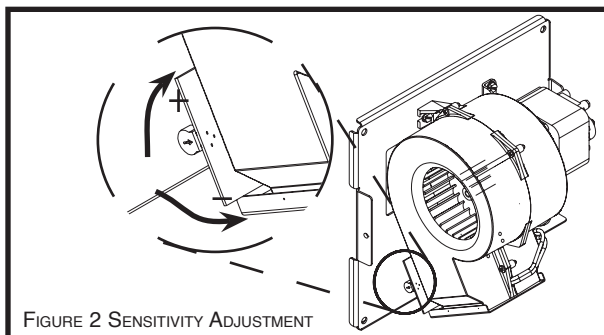
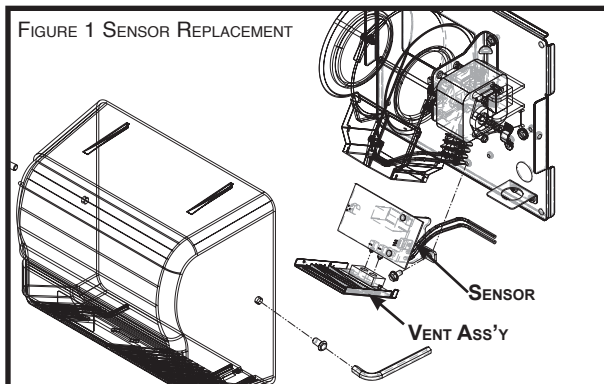
## GX SERIES SENSOR REPLACEMENT INSTRUCTIONS

**WARNING:** DISCONNECT POWER BEFORE INSTALLING  
DESUNA LA ELECTRICIDAD ANTES DE HACER REPARACIONES

**WARNING:** CANCER AND REPRODUCTIVE HARM – [www.p65warnings.ca.gov](http://www.p65warnings.ca.gov)  
CÁNCER Y DAÑO REPRODUCTIVO – [www.p65warnings.ca.gov](http://www.p65warnings.ca.gov)

Service of a hand dryer should be performed by a licensed electrician.

1. After disconnecting power, remove the cover by loosening the two tamper-resistant screws with the security wrench provided with the dryer.
2. Carefully unplug the four electrical connectors that plug into the sensor and disconnect the two lead wires from the power supply. Make a note of which wire goes to which terminal.
3. Carefully remove the vent assembly from the blower housing by pulling.
4. Remove the sensor from the backplate by removing the single mounting screw.
5. Install the new sensor by attaching to the backplate with the mounting screw, reconnect the four electrical connectors and the power supply, replace the vent assembly and cover.
6. After checking the wiring apply power and test, INCREASE sensitivity (FIGURE 2) by using a flat-blade screwdriver and CAREFULLY turning the adjustment pot located on the sensor CLOCKWISE 1/3 turn MAX. To DECREASE sensitivity, turn COUNTERCLOCKWISE 1/3 turn MAX.



## GX SERIES REPLACEMENT INSTRUCTIONS

**WARNING:** DISCONNECT POWER BEFORE INSTALLING  
DESUNA LA ELECTRICIDAD ANTES DE HACER REPARACIONES

**WARNING:** CANCER AND REPRODUCTIVE HARM – [www.p65warnings.ca.gov](http://www.p65warnings.ca.gov)  
CÁNCER Y DAÑO REPRODUCTIVO – [www.p65warnings.ca.gov](http://www.p65warnings.ca.gov)

Service of a hand dryer should be performed by a licensed electrician.

1. After disconnecting power, remove the cover by loosening the two tamper-resistant screws with the security wrench provided with the dryer.
2. Carefully unplug the four electrical connectors that plug into the sensor and disconnect the two lead wires from the power supply. Make a note of which wire goes to which terminal.
3. Carefully remove the vent assembly from the blower housing by pulling.
4. Remove the sensor from the backplate by removing the single mounting screw.
5. Install the new sensor by attaching to the backplate with the mounting screw, reconnect the four electrical connectors and the power supply, replace the vent assembly and cover.
6. After checking the wiring apply power and test, INCREASE sensitivity (FIGURE 2) by using a flat-blade screwdriver and CAREFULLY turning the adjustment pot located on the sensor CLOCKWISE 1/3 turn MAX. To DECREASE sensitivity, turn COUNTERCLOCKWISE 1/3 turn MAX.

