

NOVA 1

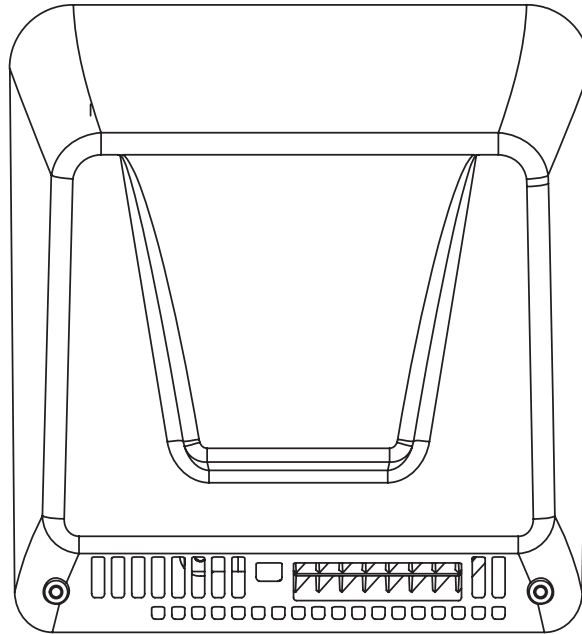
Economical Hand Dryer

Secamanos económico . Sèche-mains économique



All 0830

Todos los Modelos de las 0830
Toutes les modèles de 0830



Please read and save these instructions. Read carefully before attempting to assemble, install, operate or service the product described. Protect yourself and others by observing all safety information. Failure to comply with instructions could result in personal injury and/or property damage. Retain instructions for future reference.

Por favor lea y guarde estas instrucciones. Léelas cuidadosamente antes de tratar de montar, instalar, operar o dar mantenimiento al producto aquí descrito. Protéjase usted mismo y a los demás observando toda la información de seguridad. No seguir las instrucciones puede ocasionar daños, tanto personales como materiales. Guarde estas instrucciones para referencia en el futuro.

Lire et conservez ces instructions. Les lire attentivement avant de commencer à assembler, installer, faire fonctionner, réparer ou entretenir l'appareil décrit. Pour se protéger et protéger autrui, observer toutes les consignes de sécurité. Le fait de négliger d'appliquer ces instructions peut entraîner des blessures et/ou des dommages matériels. Conserver ces instructions pour consultation ultérieure.



World Dryer Corporation

5700 McDermott Drive
Berkeley, IL 60163 U.S.A.
800-323-0701
www.worlddryer.com

Description

World warm air hand dryer is powered by a universal brush motor. This small, low profile, ADA compliant hand dryer is multi-voltage running on 110 up to 240 Volt AC electrical supply. Operation is automatically controlled on/off, by an infrared sensor. This appliance is intended for use in hand drying, contributing to hygienic and cost effective hand sanitation in small business, office and light to medium duty environments.

General Specifications

Models	Nozzle	Drying Cycle	Dimensions (WxDxH)	Weight	Cover Material
0830	Integral	Automatic	9" x 93/4" x 4"	6.5 lbs	Aluminum

Electrical Specifications





Models	Type	Electrical Input *	Amperage **	Watts
0830	Automatic	110-120 VAC, 50/60 Hz	8	1000
0830	Automatic	208-240 VAC, 50/60 Hz	7	1700

cULus Listed E19860

(*) This hand dryer is a multi-voltage appliance that will self adjust to the available supply from 110 up to 240 VAC.

(**) As measured, Root Mean Square (RMS)

General Safety Information

-  **DANGER** **Failure to disconnect the power source before installation can result in serious injury or death from electric shock.**
- Always disconnect the power source before servicing or installing the hand dryer.
-  **DANGER** **Failure to properly ground this unit could result in severe electrical shock and/or death.**
- This hand dryer must be properly grounded (Earthed) for safe operation. An identified ground connection point is supplied on the hand dryer's wall base.
 - We recommend GFCI protection in wet or damp locations or as required by local code.
-  **WARNING** **Risk of fire, personal injury or property damage are possible if local codes, NEC codes or safety recommendations are not followed.**
- Use only the electrical power (voltage and frequency) specified for the model hand dryer being installed.
 - Connect the hand dryer to the nearest suitable distribution panel.
 - To limit a voltage drop, and insure efficient operation, use wire gauge as required by local or National Electrical Code.
 - Do not connect to a branch circuit with CB or fuse protection over 15 Amps. This is in compliance with The National Electrical Code.
 - All automatic model hand dryers must have a dedicated 15 Amp circuit as required by Underwriters Laboratories, Inc. (UL).
 - Route all field wiring away from any moving parts within the hand dryer.
-  **CAUTION** **Improper mounting could result in personal injury or property damage.**

Unpacking

1. Remove all packing material. Recycling is recommended.
2. Carefully remove the hand dryer from the shipping carton, using care not to drop the appliance.
3. Inspect carefully for any damage that may have occurred during transit. Check for any loose, missing or damaged parts. If the hand dryer is damaged, promptly inform the shipper or dealer where you purchased it.

Installation

IMPORTANT: Consult local and general regulations before performing dryer installation. Make certain that the electrical network is not overloaded. Do not connect to a branch circuit with a circuit breaker or fuse rated over 15 Amps. This is a UL recommendation and complies with NEC.

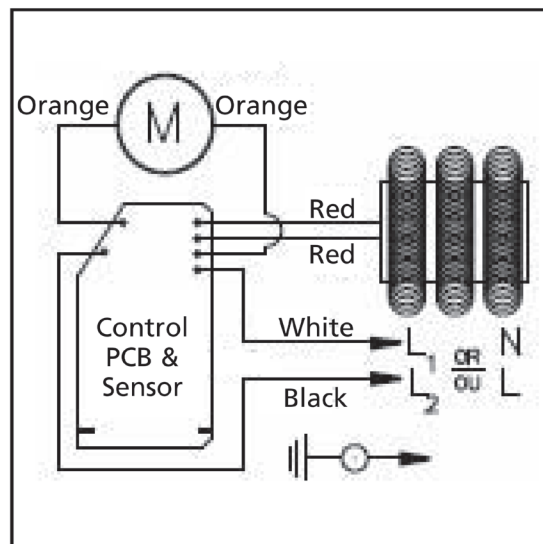
1. Disconnect the power source.
2. Remove the two cover-mounting screws. Remove the cover from the dryer.
3. Tape the hand dryer mounting template on the wall at desired location. Using Table 1 to determine the recommended mounting height. When two or more dryers are installed, they should be placed no closer than 24" (60 cm) from center to center. Mark the location of the four mounting bolt holes and the wire entry hole.
4. For recessed wiring, carry the supply wire to the dryer baseplate knockout and attach with an acceptable cable clamp. The dryer requires two conductors for power plus a separate ground wire.
5. For surface wiring, remove the knockout located at the bottom left corner of the cover. Pass the supply wire according to local code, through the knockout and attach it securely to the bracket. The dryer requires two conductors for power plus a separate ground wire.
6. Attach the mechanism firmly to the wall. For wood walls or wood studs, use No. 16 screws of proper length to ensure 1" (25 mm) minimum stud penetration. For masonry walls use expansion bolts or anchors for 1/4" (6 mm) screws of proper length to ensure penetration 1/4" (6 mm) deeper than anchor. Shim if necessary to ensure that the baseplate is level and flat against the wall.
7. Connect the supply wires to the terminal block where indicated. Connect the ground wire to the baseplate with the ground screw.
8. Replace the cover. **Do not overtighten the screws.**

INSTALLATION MUST BE PERFORMED BY QUALIFIED ELECTRICAL PERSONNEL.

Table 1 - Recommended Mounting Heights

Recommended Mounting Heights from Floor to Dryer Bottom Edge	in. (cm.)
Men's washrooms	46 (117)
Women's washrooms	44 (112)
Children's washrooms, ages 4-7	32 (81)
Children's washrooms, ages 7-10	36 (91)
Children's washrooms, ages 10-13	40 (102)
Children's washrooms, ages 13-17	44 (112)
Handicap Mounting Height	37 (94)

Figure 1 - Wiring Diagram



Maintenance

Proper maintenance should be performed on the units at least every 6 months under normal use.

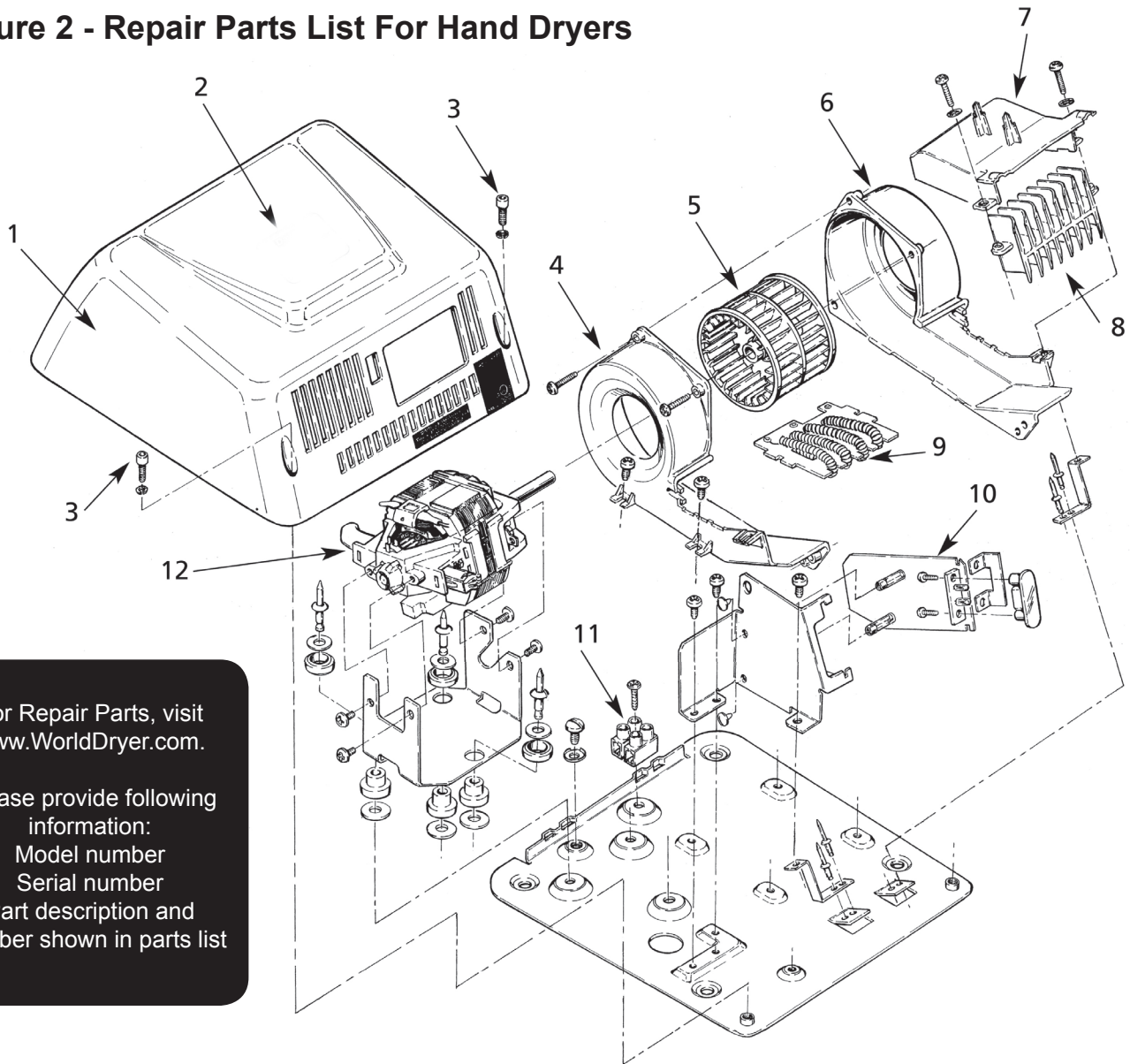
CLEANING

Cleaning and maintenance must be performed by qualified electrical personnel.

1. Disconnect the electrical supply.
2. Use the security hex driver to remove the two cover-mounting screws.
3. Remove the cover.
4. Clean all dust and lint from the interior of the dryer.
5. Replace the cover. Do not over tighten the screws.
6. Wipe the cover with a damp cloth.

Parts List

Figure 2 - Repair Parts List For Hand Dryers



For Repair Parts, visit
www.WorldDryer.com.

Please provide following
 information:
 Model number
 Serial number
 Part description and
 number shown in parts list

#	Description	Part Number	Qty.
1	Cover Kit	20-051000K	1
2	Logo Sticker	29-006515	1
3	Screw, Cover	46-006490	2
4	Blower Housing-Left	47-006372	1
5	Blower Wheel	22-006377	1
6	Blower Housing-Right	47-006371	1
7	Blower Housing Lid	47-006373	1
8	Air Outlet Baffle	12-055881	1
9	Heating Element Assembly	21-055638K	1
10	Circuit Board Assembly	16-055560K	1
11	Terminal Block	15-006531	1
12	Motor Kit	32-056450K	1

Troubleshooting Chart

Trouble shooting should only be conducted by a qualified electrician.

Symptom	Possible Cause(s)	Corrective Action
Dryer fails to start	1. Defective circuit board	1a. First ensure that the breaker supplying the dryer is operational 1b. If it is, disconnect the power and remove the dryer cover. Taking suitable precautions to avoid shock hazard, reconnect the power and check for voltage at the wire leads 1c. If there is power and the dryer will not run, replace the circuit board
Dryer cycles by itself, runs all the time, or is not sensitive enough	1. Defective circuit board	1a. Ensure that there is no obstruction on or in front of the infra-red lens 1b. Disconnect the power. Remove the dryer cover and the screws holding the circuit board. Ensure that there are no obstructions between the infra-red "eyes" on the circuit board and the lens 1c. If the problem persists, replace the circuit board
Elements get hot but the fan motor does not turn	1. Defective fan 2. Defective motor	1a. Disconnect the power. Remove the dryer cover and check for obstructions in the fan housings 1b. Damaged fans must be replaced 2. If there are no obstructions, replace the motor
Fan motor runs but the element does not get hot	1. Loose or damaged wires or defective element	1a. Disconnect the power and remove the dryer cover. Check for loose or damaged wires. Remove the access cover on the blower housing. Check the element for signs of burning or breakage. Damaged element must be replaced 1b. If the element does not appear damaged, disconnect it at the circuit board and check for continuity across the two element wires. An open circuit indicates damage to the integral temperature limit control. If this is the case, replace the element

Limited Warranty

WORLD DRYER LIMITED WARRANTY. World dryer™ warm air hand dryers, North American models covered in this manual, are warranted by world dryer corporation to the original owner against defects in workmanship or materials under normal use for two years after the date of purchase. Normal wear or abuse of any component is excluded from this warranty. Any part which is determined to be defective in material or workmanship and returned, shipping costs prepaid, will be, as the exclusive remedy, repaired or replaced at World's option. For limited warranty claim procedures, see "PROMPT DISPOSITION" below. This limited warranty gives purchasers specific legal rights which vary from jurisdiction to jurisdiction.

LIMITATION OF LIABILITY. To the extent allowable under applicable law, World's liability for consequential and incidental damages is expressly disclaimed. World's liability in all events is limited to and shall not exceed the purchase price paid.

WARRANTY DISCLAIMER. World has made a diligent effort to provide product information and illustrate the products in this literature accurately; however, such information and illustrations are for the sole purpose of identification, and do not express or imply a warranty that the products are MERCHANTABLE, or FIT FOR A PARTICULAR PURPOSE, or that the products will necessarily conform to the illustrations or descriptions. Except as provided below, no warranty or affirmation on fact, expressed or implied, other than as stated in the "LIMITED WARRANTY" above is made or authorized by World.

PRODUCT SUITABILITY. Many jurisdictions have codes and regulations governing sales, construction, installation, and/or use of products for certain purposes, which may vary from those in neighboring areas. While World attempts to assure that the products comply with such codes, it cannot guarantee compliance, and cannot be responsible for how the product is installed or used. Before purchase and use of a product, review the product application, and all applicable national and local codes and regulations, and be sure that the product, installation, and use will comply with them.

Certain aspects of disclaimers are not applicable to consumer products; e.g., (a) some jurisdictions do not allow the exclusion or limitation of incidental or consequential damages, so the above limitation or exclusion may not apply to you; (b) also, some jurisdictions do not allow a limitation on how long an implied warranty lasts, consequentially the above limitation may not apply to you; and (c) by law, during the period of this Limited Warranty, and implied warranties of implied merchantability or fitness for particular purpose applicable to consumer products purchased by consumers, may not be excluded or otherwise disclaimed.

Manufactured by World Dryer Corporation, Berkeley, Illinois 60163 U.S.A.

PROMPT DISPOSITION. World will make a good faith effort for prompt correction or other adjustment with respect to any product which proves to be defective within limited warranty. For any product believed to be defective within limited warranty, first write or call dealer from whom the product was purchased. Dealer will give additional directions. If unable to resolve satisfactorily, write to World, giving dealer's name, address, date, and number of dealer's invoice, and describing the nature of defect. Title and risk of loss pass to buyer on delivery to common carrier. If product was damaged in transit to you, file claim with carrier.



5700 McDermott Drive
Berkeley, IL 60163 U.S.A.
800-323-0701
www.worlddryer.com

Descripción

El Secamanos por aire caliente World Dryer es impulsado por un motor universal con escobillas. Este pequeño secamanos de bajo perfil y compatible con ADA, es multivoltaje y funciona con un suministro eléctrico de 110 hasta 240 voltios de CA. Un sensor infrarrojo activa o desactiva automáticamente la función de la unidad. Este aparato ha sido diseñado para uso como un secador de manos, lo cual contribuye a una limpieza higiénica y costo-efectiva de las manos en entornos de servicio liviano a mediano, oficinas y pequeños negocios.

Especificaciones Generales

Modelos	Boquilla	Tiempo de secado	Dimensiones (A x P x Al)	Peso	Material de la cubierta
0830	Integral	Automático	9" x 93/4" x 4"	6.5 lbs	aluminio

Especificaciones del Sistema Eléctrico

Modelos	Tipo	Entrada eléctrica *	Amperaje **	Vatios
0830	Automático	110-120 VAC, 50/60 Hz	8	1000
0830	Automático	208-240 VAC, 50/60 Hz	7	1700

(Clasificación cULus, E19860)

(*) Este secamanos es un aparato multivoltaje que se autoajustará al suministro eléctrico disponible, desde 110 hasta 240 VCA.

(**) Valor medido, Raíz Cuadrada Media (Root Mean Square (RMS)), en inglés)

Información de Seguridad General

⚠ PELIGRO No desconectar la fuente de alimentación eléctrica antes de realizar la instalación o el mantenimiento puede resultar en lesiones graves o la muerte debido a un choque eléctrico.

- Siempre desconecte la fuente de alimentación antes de instalar el secamanos o darle mantenimiento.

⚠ PELIGRO No conectar correctamente a tierra esta unidad puede resultar en un choque eléctrico grave y/o la muerte.

- Para utilizar este secamanos sin peligro, debe conectarse a tierra correctamente. En la base mural del secamanos se identifica un punto de conexión a tierra.
- Recomendamos utilizar un protector GFCI (interruptor de circuito de fallo a tierra) en emplazamientos mojados o húmedos, o donde lo exija el código local.

⚠ ADVERTENCIA Los siguientes: riesgo de incendio, lesiones personales o daño a la propiedad son posibles si no se cumple con los códigos locales, el código eléctrico nacional (NEC) estadounidense o las recomendaciones de seguridad.

- Utilice únicamente la energía eléctrica (voltaje y frecuencia) especificada para el modelo de secamanos que se esté instalando.
- Conecte el secamanos en el panel de distribución adecuado más cercano.
- Para limitar las caídas de voltaje, y garantizar un funcionamiento eficiente, utilice el tamaño adecuado de conductor de acuerdo con los requisitos de su localidad o del código eléctrico nacional.
- No conecte la unidad en un circuito ramal con protección de un cortacircuito o fusible de más de 20 amperios. Esto es de acuerdo con la norma del Código Eléctrico Nacional.
- Todos los modelos automáticos de secamanos deben tener un circuito dedicado de 20 amperios para satisfacer los requisitos de Underwriters Laboratories, Inc. (UL).
- Encamine todo el cableado realizado durante la instalación lejos de todas las partes móviles dentro del secamanos.

⚠ ATENCIÓN El montaje incorrecto puede ocasionar lesiones personales o daños materiales.

Desembalaje

1. Retire todos los materiales de embalaje. Se recomienda reciclar los materiales.
2. Extraiga cuidadosamente el secamanos de la caja de envío, sin dejar caer el aparato.
3. Inspeccione el producto cuidadosamente para verificar si se han producido daños durante el transporte. Revise para verificar si hay partes sueltas, que faltan o que están dañadas. Si el secamanos está dañado, infórmele prontamente sobre dicho daño al consignador o al concesionario de quien compró el secamanos.

Instalación

IMPORTANTE: Consulte los reglamentos locales y generales antes de realizar la instalación del secador. Verifique que la red eléctrica no esté sobrecargada. No conecte la unidad a un circuito derivado cuyo cortacircuito o fusible sobrepase los 15 amperios. Ésta es una recomendación de UL y cumple con la norma del NEC.

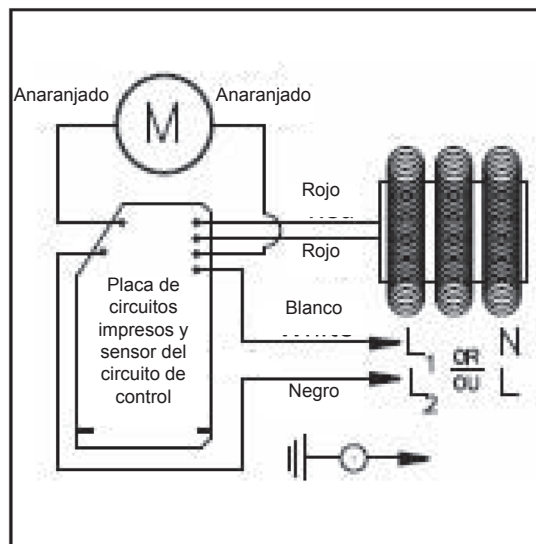
1. Desconecte la fuente de alimentación.
2. Retire los dos tornillos de montaje de la cubierta. Retire la cubierta del secador.
3. Coloque la plantilla de montaje del secamanos en la pared en el cinta deseado. Utilice la Tabla 1 en la página 1 para determinar la altura de montaje recomendada. Cuando se instalan dos o más secadores, estos deben colocarse a no menos de 60 cm (24 pulg.) de centro a centro uno de otro. Marque la posición de los cuatro agujeros para los pernos de montaje y el agujero de entrada del cable.
4. Para un cableado empotrado, tienda el cable de suministro hasta el agujero ciego en la placa base del secador y sujételo con una abrazadera de cable aceptable. El secador requiere dos conductores para la potencia más un conductor de tierra separado.
5. Para un cableado superficial, destape el agujero ciego que está situado en la esquina inferior izquierda de la cubierta. Pase el cable de suministro de acuerdo con los códigos locales, a través del agujero ciego y sujételo firmemente en el soporte. El secador requiere dos conductores para la potencia más un conductor de tierra separado.
6. Instale firmemente el mecanismo en la pared. Para paredes de madera o montantes de madera, utilice tornillos número 16 de longitud adecuada para garantizar una penetración de 25 mm (1 pulg.) como mínimo en el montante. Para paredes de mampostería, utilice pernos de expansión o anclas para tornillos de 6 mm (1/4 pulg.) de longitud adecuada para garantizar que la penetración sea 6 mm (1/4 pulg.) más profunda que el ancla. Coloque calzos según sea necesario para garantizar que la placa base esté nivelada y plana contra la pared.
7. Conecte los conductores de suministro en el bloque de terminales, donde se indica. Conecte el conductor de tierra en la placa base con el tornillo de tierra.
8. Vuelva a instalar la cubierta. **No apriete los tornillos demasiado.**

LA INSTALACION DEBE SER REALIZADA POR PERSONAL ELECTRICO CALIFICADO.

Tabla 1

Alturas de montaje recomendadas desde el suelo hasta la parte inferior del secamanos	cm (pulg)
Baños de hombres	46 (117)
Baños de mujeres	44 (112)
Baños de niños, 4 a 7 años de edad	32 (81)
Baños de niños, 7 a 10 años de edad	36 (91)
Baños de niños, 10 a 13 años de edad	40 (102)
Baños de niños, 13 a 17 años de edad	44 (112)
Altura de montaje para discapacitados	37 (94)

Figura 1 – Diagrama de Cableado



Mantenimiento

Se les debe dar un mantenimiento adecuado a las unidades al menos a cada 6 meses bajo uso normal.

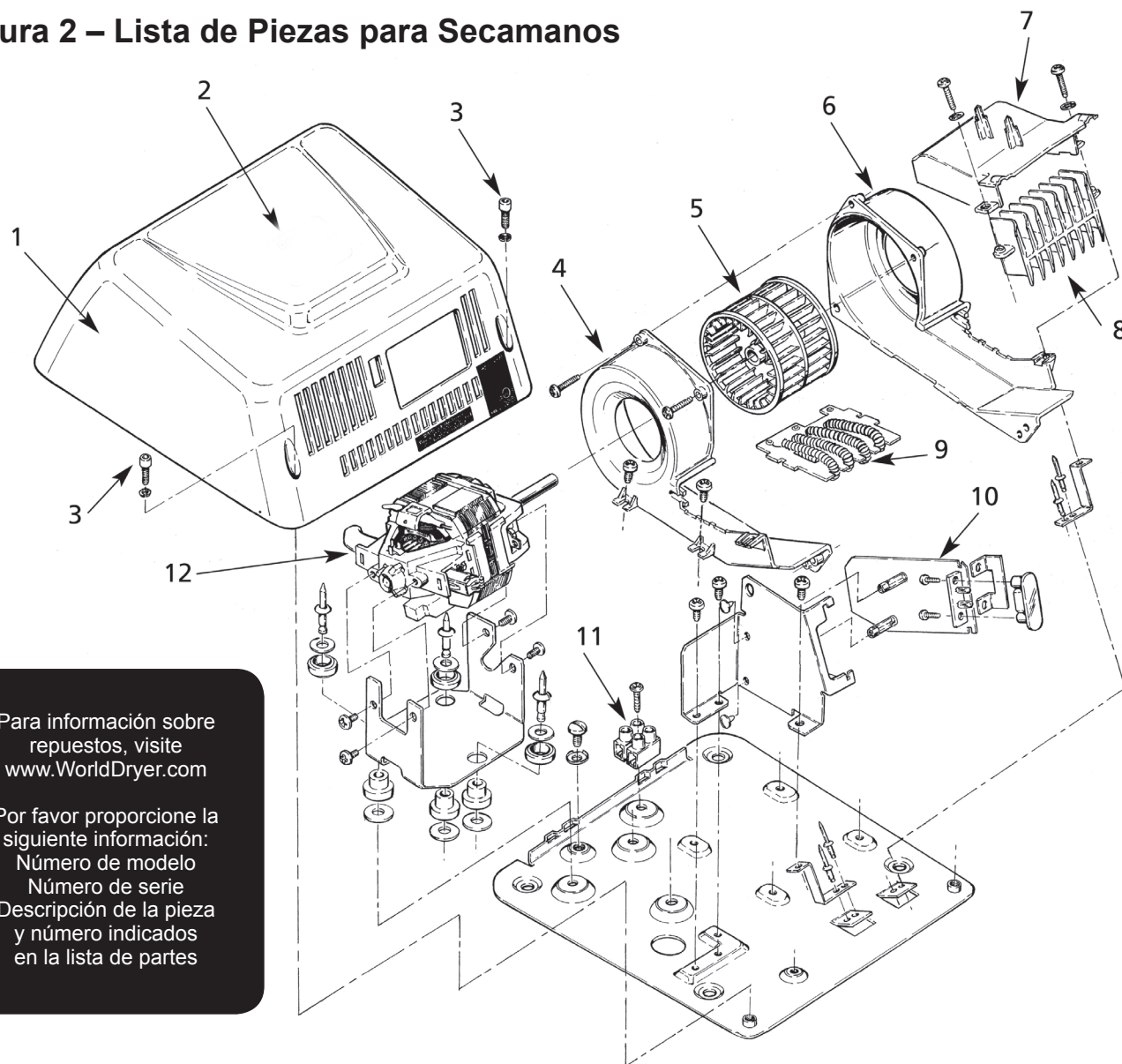
LIMPIEZA

Toda limpieza y mantenimiento deben ser realizados por personal eléctrico calificado.

1. Desconecte el suministro eléctrico.
2. Utilice la llave hexagonal de seguridad para extraer los dos tornillos de montaje de la cubierta.
3. Retire la cubierta.
4. Limpie todo el polvo y todas las pelusas del interior del secador.
5. Vuelva a instalar la cubierta. No apriete los tornillos demasiado.
6. Limpie la cubierta con un paño suave. Nunca use abrasivos para limpiar la cubierta.

Lista de Piezas

Figura 2 – Lista de Piezas para Secamanos



Para información sobre repuestos, visite www.WorldDryer.com

Por favor proporcione la siguiente información:
 Número de modelo
 Número de serie
 Descripción de la pieza y número indicados en la lista de partes

#	Descripción	No. de Parte	Cant.
1	Juego de cubierta	20-051000K	1
2	Placa con logotipo	29-006515	1
3	Tornillo de la cubierta	46-006490	2
4	Alojamiento izquierdo del soplador	47-006372	1
5	Rueda del soplador	22-006377	1
6	Alojamiento derecho del soplador	47-006371	1
7	Cubierta del alojamiento del soplador	47-006373	1
8	Deflector de la salida de aire	12-055881	1
9	Conjunto del elemento calentador	21-055638K	1
10	Conjunto de la placa de circuitos	16-055560K	1
11	Bloque de terminales	15-006531	1
12	Juego de motor	32-056450K	1

Tabla de Identificación de Problemas

Sólo un electricista calificado debe diagnosticar y solucionar posibles fallas.

Síntoma	Causa(s) Posible(s)	Medida Correctiva
El secador no funciona	1. Placa de circuitos defectuosa	1a. Primero asegúrese que el cortacircuito que suministra al secador funcione correctamente 1b. Si es así, desconecte la potencia y desmonte la cubierta del secador. Tomando las precauciones adecuadas para evitar un choque eléctrico, vuelva a conectar la potencia y verifique el voltaje en los conductores de acometida 1c. Si hay potencia y el secador no funciona, reemplace la placa de circuitos
El secador cicla por sí mismo, funciona todo el tiempo, o no es suficientemente sensible	1. Placa de circuitos defectuosa	1a. Asegúrese que no haya ninguna obstrucción sobre o en frente de la lente infrarroja 1b. Desconecte la potencia. Desmonte la cubierta del secador y extraiga los tornillos que sujetan la placa de circuitos. Asegúrese que no haya ninguna obstrucción entre los "ojos" infrarrojos en la placa de circuitos y la lente 1c. Si el problema persiste, reemplace la placa de circuitos
Los elementos se calientan pero el motor del ventilador no funciona	1. Ventilador defectuoso 2. Motor defectuoso	1a. Desconecte la potencia. Desmonte la cubierta del secador y verifique que no haya obstrucciones en los alojamientos del ventilador 1b. Los ventiladores dañados se deben reemplazar 2. Si no hay obstrucciones, reemplace el motor
El motor del ventilador funciona pero el elemento no calienta	1. Conductores sueltos o dañados o elemento defectuoso	1a. Desconecte la potencia y desmonte la cubierta del secador. Verifique que los cables no estén sueltos ni dañados. Retire la cubierta de acceso en el alojamiento del soplador. Revise el elemento para ver si exhibe señales de quemadura o rotura. Reemplace el elemento si está dañado 1b. Si el elemento no aparenta estar dañado, desconéctelo en la placa de circuitos y verifique su continuidad a través de los dos conductores del elemento. Un circuito abierto indica que el control de límite de temperatura integral está dañado. Si es así, reemplace el elemento

Garantía Limitada

GARANTÍA LIMITADA WORLD DRYER. World Dryer secadores de aire caliente, modelos norteamericanos incluidos en este manual, están garantizados por World Dryer Corporation al dueño original contra defectos de fabricación o de materiales durante el uso normal durante dos años de la fecha de compra. Desgaste normal o abuso de cualquier componente está excluido de esta garantía. Cualquier parte que está decidido a ser defectuoso en materiales o mano de obra y devuelto, los gastos pagados, de envío será, como remedio exclusivo, reparado o reemplazado, a opción del mundo. Garantía limitada reclamo procedimientos, consulte "oportuna" a continuación. Esta garantía limitada otorga al comprador derechos legales específicos que varían de jurisdicción a jurisdicción.

LÍMITES DE RESPONSABILIDAD. En la medida en que las leyes aplicables lo permitan, se excluye expresamente la responsabilidad de World Dryer por daños indirectos o menores. La responsabilidad de World Dryer se limita al precio de compra pagado, al cual no sobrepasará.

EXCLUSIÓN DE RESPONSABILIDAD DE LA GARANTÍA. World Dryer se ha esforzado diligentemente en proporcionar a través de este manual información e ilustraciones concernientes al producto; sin embargo, esta información y estas ilustraciones tienen como único fin la identificación del producto, y no expresan ni implican garantía de que los productos sean VENDIBLES o ADECUADOS A UN PROPÓSITO EN PARTICULAR, ni que se ajusten necesariamente a las ilustraciones o descripciones. Con excepción de lo que se establece a continuación, World Dryer no hace ni autoriza ninguna garantía o afirmación de hecho, expresa o implícita, que no se estipule en la "GARANTÍA LIMITADA" anterior.

ADECUACIÓN DEL PRODUCTO. Muchas jurisdicciones tienen códigos o regulaciones sobre la venta, el diseño, la instalación y/o el uso de productos para ciertas aplicaciones; dichas leyes pueden variar de un área a otra. Si bien World Dryer trata de que los productos cumplan con estos códigos, no puede garantizar su cumplimiento ni puede hacerse responsable de la forma en que se instale o utilice el producto. Antes de comprar y utilizar el producto, revise su aplicación y todos los códigos y reglamentos nacionales y locales aplicables, y asegúrese de que el producto, la instalación y el uso los cumplan.

Ciertos aspectos de las limitaciones de responsabilidad no se aplican a los productos de consumo; es decir (a) algunas jurisdicciones no permiten la exclusión o limitación de daños menores o indirectos, por lo cual la limitación o exclusión anterior quizás no se aplique en su caso; (b) asimismo, algunas jurisdicciones no permiten limitar el plazo de las garantías implícitas, por lo cual la limitación anterior quizás no se aplique en su caso; y (c) por ley, mientras estén vigentes, no pueden excluirse ni de ninguna otra manera denegarse la Garantía Limitada y las garantías implícitas de comerciabilidad o idoneidad para un propósito en particular implícitas que corresponden a los productos de consumo adquiridos por los consumidores. Fabricado por World Dryer Corporation, Berkeley, Illinois 60163 U.S.A.

ATENCIÓN OPORTUNA. World Dryer hará un esfuerzo de buena fe para corregir oportunamente o hacer otros ajustes relacionados con cualquier producto que resulte defectuoso dentro de los términos de esta garantía limitada. En el caso de que encuentre un producto defectuoso y que esté cubierto dentro de los límites de esta garantía haga el favor de escribir primero, o llame, al distribuidor a quien le compró el producto. El distribuidor le dará las instrucciones adicionales. Si no logra resolver el problema de forma satisfactoria, escriba a World Dryer, y proporcione el nombre y la dirección del distribuidor, así como la fecha y el número de su factura, y describa la naturaleza del defecto. La propiedad del artículo y el riesgo de pérdida pasan al comprador en el momento de la entrega del artículo a la compañía de transporte. Si el producto se daña durante el transporte, debe presentar su reclamo a la compañía transportista.



5700 McDermott Drive
Berkeley, IL 60163 U.S.A.
800-323-0701
www.worlddryer.com

Description

Le sèche-mains à air chaud Dayton est alimenté par un moteur universel avec balais. Ce petit sèche-mains à profil bas, conforme aux normes de l'ADA (American Disabilities Act), est un appareil multitenion, qui fonctionne sur une alimentation électrique alternative de 110 volts c.a. à 240 volts c.a. La mise en marche et l'arrêt sont automatiquement commandés par un capteur infrarouge. Cet appareil est conçu pour sécher les mains de façon sanitaire, d'une manière hygiénique et économique dans les petites et moyennes entreprises, les bureaux et dans les conditions ambiantes de légères à modérés.

Caractéristiques générales

Modèles	Buse	Cycle de séchage	Dimensions (Lar. x P x H)	Poids	Matériau du carter
0830	Intégral	Automatique	9" x 93/4" x 4"	6.5 lbs	aluminium

Caractéristiques électriques

Modèles	Type	Consommation électrique*	Intensité **	Watts
0830	Automatique	110-120 VAC, 50/60 Hz	8	1000
0830	Automatique	208-240 VAC, 50/60 Hz	7	1700

(Homologation cULus, E19860)

(*) Ce sèche-mains est un appareil multitenion dont le réglage s'effectue automatiquement en fonction de l'alimentation disponible, de 110 V c.a. à 240 V c.a.

(**) Telle que mesurée, valeur efficace (RMS)

Consignes générales de sécurité

⚠ DANGER Le fait de ne pas débrancher la source d'alimentation avant de procéder à l'installation, à la réparation ou à l'entretien peut entraîner des blessures graves ou mortelles résultant d'un choc électrique.

- Toujours débrancher la source d'alimentation avant de réparer, d'entretenir ou d'installer le sèche-mains.

⚠ DANGER Veiller à mettre cet appareil à la terre correctement afin d'éviter un risque de choc électrique grave, voire mortel.

- Ce sèche-mains doit être mis à la terre correctement pour fonctionner en toute sécurité. Un point de raccordement à la terre est identifié sur la base de fixation murale du sèche-mains.
- Nous recommandons une protection par disjoncteur de fuite à la terre dans les endroits mouillés ou humides, ou si les normes locales l'exigent.

⚠ AVERTISSEMENT Un risque d'incendie, de blessures ou de dommages matériels est possible en cas d'inobservation des codes locaux, du code national de l'électricité ou des recommandations de sécurité.

- N'utiliser que le type d'alimentation électrique (en matière de tension et fréquence) spécifié pour le modèle de sèche-mains en cours d'installation.
- Raccorder le sèche-mains au tableau de distribution adapté le plus proche.
- Pour limiter les chutes de tension et garantir un fonctionnement efficace, utiliser du fil correspondant au calibre exigé par le code local ou le code national de l'électricité.
- Ne pas raccorder l'appareil à un circuit de dérivation protégé par un disjoncteur ou un fusible de plus de 20 ampères. Cette exigence est stipulée par l'article du code national de l'électricité.
- Pour se conformer à l'homologation Underwriters Laboratories, Inc. (UL), tous les modèles automatiques de sèche-mains doivent être installés sur un circuit dédié de 20 ampères.
- Faire passer l'ensemble du câblage sur site à l'écart des pièces mobiles qui sont à l'intérieur du sèche-mains.

⚠ ATTENTION Un montage incorrect peut provoquer des accidents corporels et des dommages matériels.

Déballage

1. Enlever tous les produits d'emballage. Il est recommandé de les recycler.
2. Sortir le sèche-mains du carton avec précaution, en veillant à ne pas le faire tomber.
3. Vérifier soigneusement qu'aucun dommage n'est survenu durant le transport. Examiner les pièces pour vérifier si certaines sont desserrées, manquantes ou endommagées. Si le sèche-mains est endommagé, informer immédiatement l'expéditeur ou le concessionnaire qui l'a vendu.

Installation

IMPORTANT : Consulter les réglementations locale et générale avant d'installer le sèche-mains. S'assurer que le réseau électrique n'est pas surchargé. Ne pas raccorder l'appareil à un circuit de dérivation protégé par un disjoncteur ou un fusible de plus de 15 A. Il s'agit d'une recommandation UL conforme à l'article du code national de l'électricité.

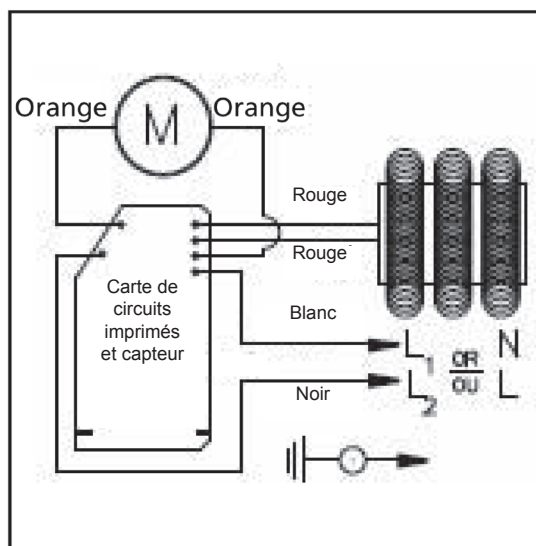
1. Couper la source d'alimentation électrique.
2. Enlever les deux vis de montage du capot. Déposer le capot du sèche-mains.
3. Bande la gabarit de montage du sèche-mains sur le mur à l'emplacement désiré. Se reporter au Tableau 1, page 1 pour déterminer la hauteur de montage recommandée. Pour deux sèche-mains ou plus, observer une distance minimale de séparation entre eux de 60 cm (24 po) de centre à centre. Marquer l'emplacement des quatre trous des boulons de montage et le trou d'entrée du câble.
4. Pour un câblage encastré, acheminer le câble d'alimentation vers la partie à défoncer de la plaque de base du sèche-mains et le fixer au moyen d'un serre-câble adapté. Le sèche-mains nécessite deux conducteurs d'alimentation plus un fil supplémentaire de mise à la terre.
5. Pour un câblage en surface, enlever la partie à défoncer située en bas à gauche du capot. Acheminer le câble d'alimentation conformément au code local à travers la partie défoncée et le fixer solidement au support. Le sèche-mains nécessite deux conducteurs d'alimentation plus un fil supplémentaire de mise à la terre.
6. Fixer le dispositif solidement au mur. Sur des murs ou des montants en bois, utiliser des vis n° 16 d'une longueur adaptée pour assurer une pénétration dans le montant d'au moins 25 mm (1 po). Sur des murs en maçonnerie, utiliser des boulons ou des ancrages à expansion pour des vis de 6 mm (1/4 po) de longueur adaptée pour assurer une pénétration de 6 mm (1/4 po) de plus que les ancrages. Caler le dispositif si nécessaire pour que la plaque de base soit de niveau et à plat contre le mur.
7. Brancher les fils d'alimentation au bornier comme indiqué. Brancher le fil de mise à la terre à la plaque de base au moyen de la vis de borne de terre.
8. Remettre le capot en place. **Ne pas trop serrer les vis.**

TOUTE INSTALLATION DOIT ÊTRE EFFECTUÉE PAR UN ÉLECTRICIEN AGRÉÉ.

Tableau 1

Hauteurs de montage recommandées entre le sol et le bord inférieur du sèche-mains	cm (po)
Toilettes pour hommes	46 (117)
Toilettes pour femmes	44 (112)
Toilettes pour enfants de 4 à 7	32 (81)
Toilettes pour enfants de 7 à 10 ans	36 (91)
Toilettes pour enfants de 10 à 13 ans	40 (102)
Toilettes pour enfants de 13 à 17 ans	44 (112)
Hauteur de montage pour personnes handicapées	37 (94)

Figure 1 - Schéma de câblage



Entretien

Un entretien adéquat doit être effectué sur les appareils au moins tous les 6 mois dans des conditions d'utilisation normale.

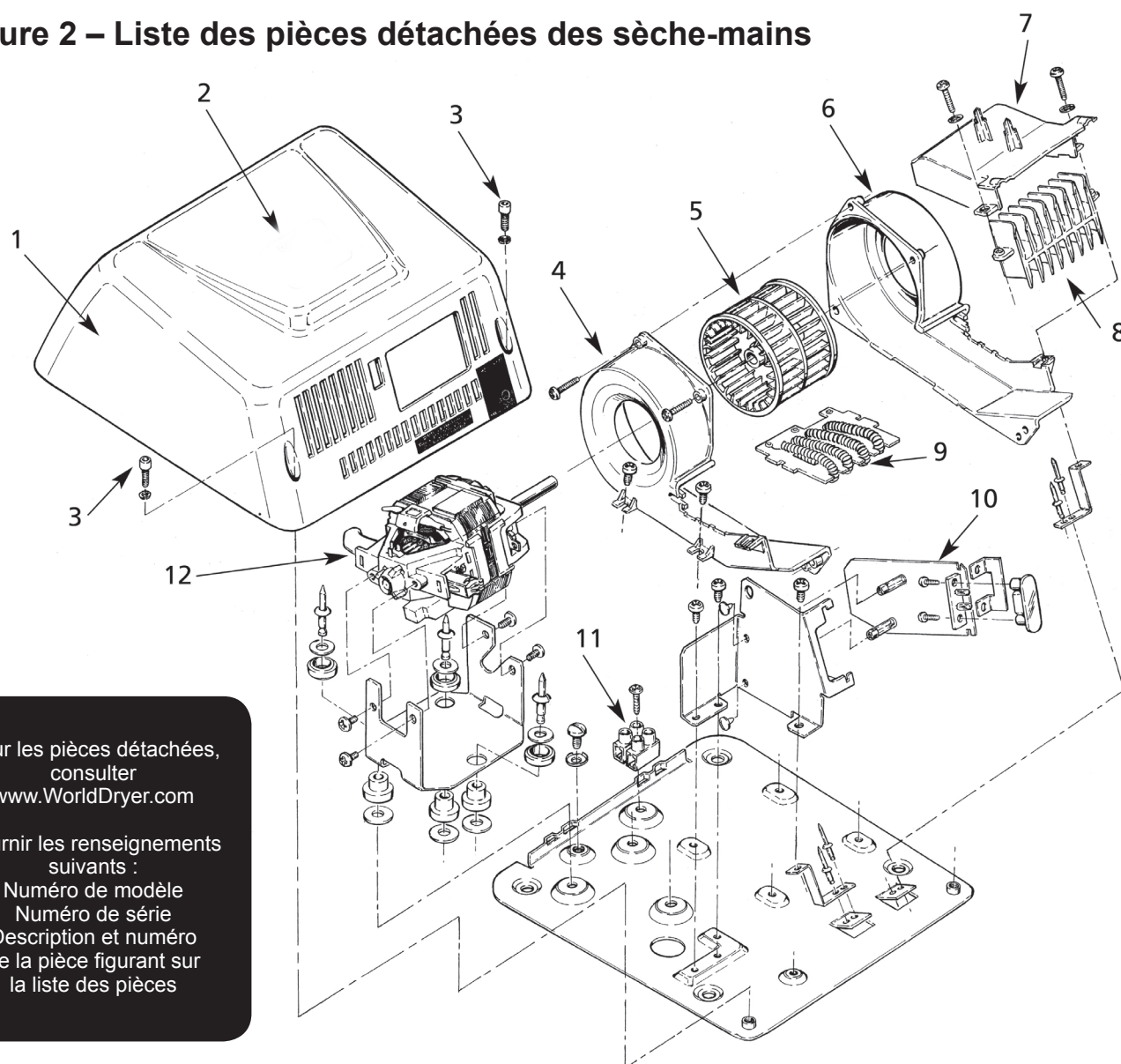
NETTOYAGE

Le nettoyage et l'entretien doivent être effectués par un électricien agréé.

1. Débrancher l'alimentation électrique.
2. Utiliser le tournevis hex de sécurité pour enlever les deux (2) vis de montage du capot.
3. Enlever le capot.
4. Nettoyer toute poussière et peluche à l'intérieur du sèche-mains.
5. Remettre le capot en place. Ne pas trop serrer les vis.
6. Essuyer le capot avec un chiffon humide. Ne jamais utiliser de produits abrasifs pour nettoyer le capot.

Liste des pièces

Figure 2 – Liste des pièces détachées des sèche-mains



Pour les pièces détachées,
consulter
www.WorldDryer.com

Fournir les renseignements
suivants :
Numéro de modèle
Numéro de série
Description et numéro
de la pièce figurant sur
la liste des pièces

#	Description	Numéro de pièce	Qté.
1	Kit de capot	20-051000K	1
2	Autocollant du logo	29-006515	1
3	Vis de capot	46-006490	2
4	Carter de la soufflante côté gauche	47-006372	1
5	Roue de la soufflante	22-006377	1
6	Carter de la soufflante côté droit	47-006371	1
7	Couvercle de la soufflante	47-006373	1
8	Défecteur de sortie d'air	12-055881	1
9	Élément chauffant	21-055638K	1
10	Carte de circuits imprimés	16-055560K	1
11	Bornier	15-006531	1
12	Kit de moteur	32-056450K	1

Tableau de dépannage

Tout dépannage ne doit être effectué que par un électricien agréé.

Symptôme	Cause(s) possible(s)	Action corrective
Le sèche-mains ne démarre pas	1. La carte de circuits imprimés est défectueuse	1a. S'assurer d'abord que le disjoncteur d'alimentation du sèche-mains fonctionne 1b. Si c'est le cas, couper l'alimentation et enlever le capot du sèche-mains. En prenant toutes les précautions nécessaires pour éviter un choc électrique, remettre l'alimentation et vérifier la tension sur les fils conducteurs 1c. Si le sèche-mains est alimenté mais ne démarre pas, remplacer la carte de circuits imprimés
Le sèche-mains s'enclenche de lui-même, fonctionne constamment ou n'est pas assez sensible	1. La carte de circuits imprimés est défectueuse	1a. S'assurer qu'il n'y a aucune obstruction sur la lentille ou devant la lentille du capteur 1b. Couper l'alimentation. Enlever le capot du sèche-mains et les vis qui fixent la carte de circuits imprimés. S'assurer qu'il n'y a aucune obstruction entre la lentille du capteur et les « yeux » du capteur à infrarouge 1c. Si le problème persiste, remplacer la carte de circuits imprimés
L'élément chauffant est chaud mais le moteur du ventilateur ne fonctionne pas	1. Le ventilateur est défectueux 2. Le moteur est défectueux	1a. Couper l'alimentation. Enlever le capot du sèche-mains et vérifier que rien n'obstrue le caisson du ventilateur 1b. Tout ventilateur endommagé doit être remplacé 2. S'il n'y a aucune obstruction, remplacer le moteur
Le moteur fonctionne mais l'élément chauffant n'est pas chaud	1. Fils desserrés ou endommagés, ou pièce défectueuse	1a. Couper l'alimentation et enlever le capot du sèche-mains. Vérifier si des fils sont desserrés ou endommagés. Enlever le capot d'accès au carter de la soufflante. Examiner l'élément chauffant pour vérifier qu'il ne présente ni trace de brûlure ni cassure. Tout élément chauffant endommagé doit être remplacé 1b. Si l'élément chauffant ne semble pas endommagé, le débrancher au niveau de la carte de circuits imprimés et vérifier la continuité sur les deux fils de l'élément chauffant. Un circuit ouvert indique que le système intégral de commande de limite de la température est endommagé. Dans un tel cas, remplacer l'élément chauffant

Garantie limitée

GARANTIE LIMITÉE DE WORLD DRYER. Les modèles de sèche-mains World Dryer nord-américains à air chaud couverts dans ce manuel sont garantis par la société World Dryer à l'acheteur d'origine contre tout défaut de fabrication ou de matériau dans des conditions d'utilisation normales durant deux ans à compter de la date d'achat. L'usure normale ou les abus relatifs à toute composante sont exclus de cette garantie. Toute pièce présentant un défaut de fabrication ou de matériau et retournée, port payé, sera réparée ou remplacée, au choix de World, à titre de recours exclusif. Voir les procédures de réclamations sous garantie à la section « Règlement rapide », ci-dessous. La présente garantie limitée donne aux acheteurs des droits spécifiques qui varient selon les juridictions.

LIMITES DE RESPONSABILITÉ. Dans la mesure permise au titre de la loi applicable, World Dryer décline expressément toute responsabilité pour tout dommage accessoire et indirect. La responsabilité de World Dryer est dans tous les cas limitée et ne saurait dépasser le prix d'achat.

CLAUSE D'EXONÉRATION DE GARANTIE. World Dryer s'est diligemment efforcée d'illustrer et de décrire de manière exacte les produits de cette brochure. Cependant, ces illustrations et ces descriptions ne sont données qu'à titre d'identification et ne garantissent pas expressément ou implicitement que les produits sont de QUALITÉ MARCHANDE ou ADAPTÉS À UN USAGE PARTICULIER, ou qu'ils seront nécessairement conformes aux illustrations ou aux descriptions fournies. Sauf dispositions contraires ci-dessous, aucune garantie ou affirmation de fait, expresse ou implicite, autre que celle énoncée à la rubrique « GARANTIE LIMITÉE » ci-dessus, n'est fournie ou autorisée par World Dryer.

ADÉQUATION DU PRODUIT. Dans de nombreuses juridictions, les normes et les réglementations qui régissent les ventes, la construction, l'installation et/ou l'utilisation de produits pour certains usages peuvent être différentes de celles de régions avoisinantes. Bien que World Dryer se soit efforcée de rendre ses produits conformes à ces normes, la société ne peut en garantir la conformité et ne saurait être responsable de la manière dont les produits sont installés ou utilisés. Avant d'acheter et d'utiliser un produit, il est conseillé d'étudier son application ainsi que les normes et réglementations nationales et locales, et de s'assurer de la conformité à ces normes de ces produits, de leur installation et de leur utilisation. Certains aspects des dénis de garantie ne sont pas applicables aux produits de consommation. Par exemple, (a) certaines juridictions n'autorisent pas l'exclusion ou la limitation des dommages accessoires ou indirects, de sorte que la limitation ou l'exclusion susmentionnée peut ne pas s'appliquer à votre cas ; (b) en outre, certaines juridictions n'autorisent pas de limite sur la durée d'une garantie implicite, par conséquent la limite susmentionnée peut ne pas s'appliquer à votre cas ; et (c) en vertu de la loi, durant la période de garantie limitée, toute garantie implicite de qualité marchande ou d'adéquation à un usage particulier applicable aux produits de consommation achetés par des consommateurs est susceptible de ne pas pouvoir être exclue ou autrement déniée. Fabriqué par World Dryer Corporation, Berkeley, Illinois 60163 États-Unis.

PROMPT RÈGLEMENT. World Dryer s'engage à effectuer de bonne foi les rectifications ou autres ajustements prévus pour tout produit qui s'avère défectueux durant la période de garantie limitée. Pour tout produit jugé défectueux durant la période de garantie limitée, contacter tout d'abord le concessionnaire où l'appareil a été acheté. Le concessionnaire fournira des instructions supplémentaires. S'il est impossible de résoudre le problème de façon satisfaisante, écrire à World Dryer, en indiquant le nom et l'adresse du concessionnaire, la date et



5700 McDermott Drive
Berkeley, IL 60163 U.S.A.
800-323-0701
www.worlddryer.com