

# AirStyle Hair Dryers



**WORLD DRYER**

## Durable Commercial Hair Dryers

World Airstyle Model B series commercial hair dryers are designed for health clubs, locker rooms and schools. Featuring high-power 80 second drying cycle, Airstyle is one of the safest and high-vandal resistant hair dryer in the market.

### Product Benefits

- High power 80 second drying cycle
- Quiet operation for sound sensitive areas
- Durable and vandal resistant
- Designed for use in health clubs, locker rooms and schools
- Push-button operation
- Surface or recess mounted
- Classic style design

### Design Features

- IPX1 ingress protection
- Thermally-protected, universal brush-type motor operating at 7,500 RPM
- Delivering 200 CFM air flow at a velocity of 7,300 LFM of warm air
- Cover material: Cast Iron with porcelain enamel finish. Optional 14GA polished or brushed finish #304S.S. or epoxy enamel finish C.R. Steel on surface mount model
- Cam-operated timer designed to operate the hair dryer for no less than 80 seconds after activation
- Recessed units include a 16-gauge steel wall-mounting box
- Chrome plated nozzle to revolve 360°



### Architecture & Engineering Specifications

Airstyle™ Model B Series industrial hair dryers shall be manufactured by or for World Dryer to include a 1/4" thick cast iron with porcelain enamel, 14 gauge thick epoxy coated Cold Rolled Steel, or 14 gauge thick polished or brushed 304 stainless steel. Motor shall be of universal type, 1/10 hp at 7500 RPM. Dryer shall deliver 200 CFM (7300 LFM) of warm air. Dryers shall be activated by means of a pushbutton control device. Timer shall be cam-operated electro-mechanical type, designed to operate the hair dryer for no less than 80 seconds after activation. Chrome plated nozzle to revolve 360°. Recessed units will include a 16-gauge steel wall-mounting box. Hair dryer shall be listed under the reexamination service of Underwriters Laboratories.

### Model B Series Product Specifications

#### Electrical

	115 V	115 V	208 - 230 V	220 - 240 V	277 V
Amps	20	15	10	10	8.5
Watts	2300	1725	2300	2300	2300
Hz	60	60	60	50	60

#### Surface Mounted

**Unit Size (HxWxD)** 11.3" x 9.6" x 8.1" 287 mm x 244 mm x 206 mm

**Shipping Size (HxWxD)** 15" x 13" x 11.3" 385 mm x 330 mm x 285 mm

#### Recessed Mounted

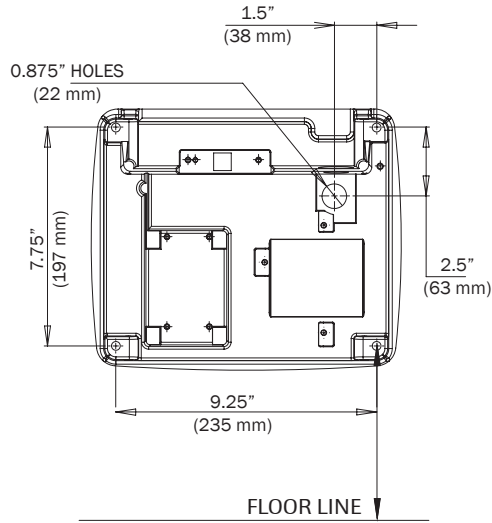
**Unit Size (HxWxD)** 13.1" x 13.9" x 5.8" 333 mm x 353 mm x 146 mm

**Shipping Size (HxWxD)** 15" x 13" x 11.3" 385 mm x 330 mm x 285 mm

110-120 V (20 A)	110-120 V (15 A)	208-240 V	220-240V (export 50Hz)	277 V*	Operation	Mounted	Cover Material, Cover Finish	Unit Wt.	Shipping Wt.
B-974	B1-974	B3-974	B38-974	B7-974	Push-button	Surface	Cast Iron, White	27.3 lbs / 12.4 kgs	29.6 lbs / 13.4 kgs
RB-974	RB1-974	RB3-974	RB38-974	RB7-974	Push-button	Recessed	Cast Iron, White	28.6 lbs / 12.9 kgs	32.2 lbs / 14.6 kgs
DB-974	DB1-974	DB3-974	DB38-974	DB7-974	Push-button	Surface	Steel, White	15.6 lbs / 7.1 kgs	17.8 lbs / 8 kgs
DB-972	DB1-972	DB3-972	DB38-972	DB7-972	Push-button	Surface	Stainless Steel, Polished	15.6 lbs / 7.1 kgs	17.8 lbs / 8 kgs
DB-973	DB1-973	DB3-973	DB38-973	DB7-973	Push-button	Surface	Stainless Steel, Brushed	15.6 lbs / 7.1 kgs	17.8 lbs / 8 kgs

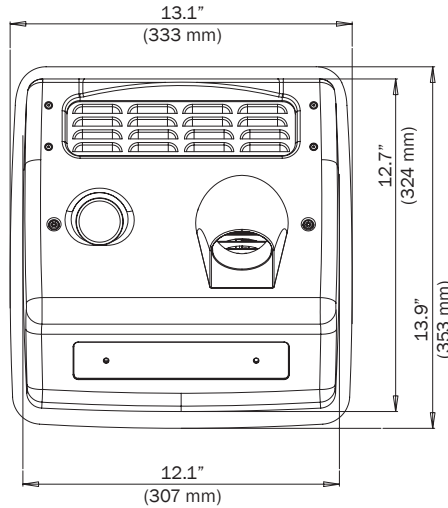
\* 277 Volts unit available for additional fee

**Surface Mounted**

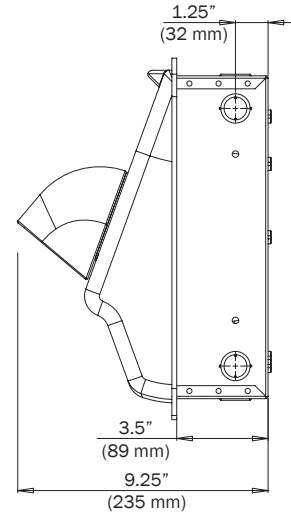


**FACING WALL**

**Recess Mounted**



**Side View**



**Placement Instruction**

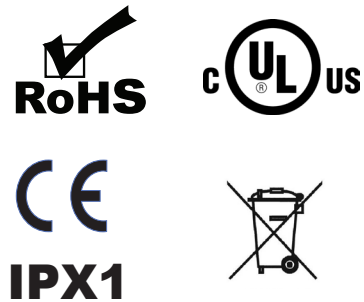
- Hair dryers should be spaced at least 2' apart
- Dryer Quantity Recommendation:  
Average Traffic: 1 dryer per 2 shower heads  
Heavy Traffic: 1 dryer per shower head
- Recommended mounting heights from floor to dryer bottom edge

Recommended Mounting Heights from Floor to Dryer Bottom Edge	in. (cm.)
Men's washrooms	68" (173 cm)
Women's washrooms	59" (150 cm)
Children's washrooms, ages 4-7	41" (104 cm)
Children's washrooms, ages 7-10	48" (122 cm)
Children's washrooms, ages 10-13	54" (137 cm)
Children's washrooms, ages 13-17	59" (150 cm)
Handicap Mounting Height	40" (102 cm)

**Installation Guide**

- Airstyle Model B hair dryers must be properly grounded. Dryers for 120V supply voltages require a dedicated 20 AMP circuit.
- GFI circuit protection is recommended in wet or damp locations
- One side of dryer should be mounted to a stud

**Certification Approved**



**Warranty**



10 year limited warranty



340 County Line Road  
Bensenville, IL 60106 U.S.A.  
800-323-0701  
www.worlddryer.com

