

Airforce

Hi-speed Energy-Efficient Hand Dryers



WORLD DRYER

Airforce is an environmentally friendly ambient temperature hand dryer. Airforce incorporates antimicrobial technology protecting treated surfaces on the dryer by inhibiting the growth of bacteria, mold and fungus that can cause stains, odors or deterioration. Its modern sleek design complements any washroom décor.

Product Benefits

- 12 second dry time
- Ambient air drying for optimum energy efficiency – uses less than 20% energy of traditional dryers
- Quiet operation for sound sensitive areas
- Antimicrobial technology protects the treated surfaces on the dryer by inhibiting the growth of bacteria, mold and fungus that can cause stains, odors or deterioration
- Innovative multi-port diffuser nozzle maximizes drying effective and comfort
- Modular design for easy servicing
- Automatic operation
- Contemporary stylish design



Architecture & Engineering Specifications

Airforce™ Model J, J4, and J48 hand dryers shall be manufactured by World Dryer® Corporation. The hand dryer cover is to be an aluminum housing finished in chrome plating or epoxy paint incorporating antimicrobial additive. Optional covers available in stainless steel brushed or polished. Motor shall be universal brush type operating at 34000 RPM and shall be thermally protected. It shall deliver 105 cubic feet per minute of air volume at 206 MPH. Dryer shall be activated by an automatic infrared sensor controlled by a circuit board with 1 second run-on time and 30 second vandal shut-off. Control board to have conformal coating. Dryer shall provide a 40° F temperature rise, and PC/ABS internal housing components to be V0 or V5 flame retardant. Hand dryers shall be listed under re-examination service of Underwriters Laboratories, Inc.

Electrical specifications:

	110-120 V	208- 240 V	220 – 240 V
Amps	9.6	4.8	4.8
Watts	1100	1100	1100
Hz	60	60	50

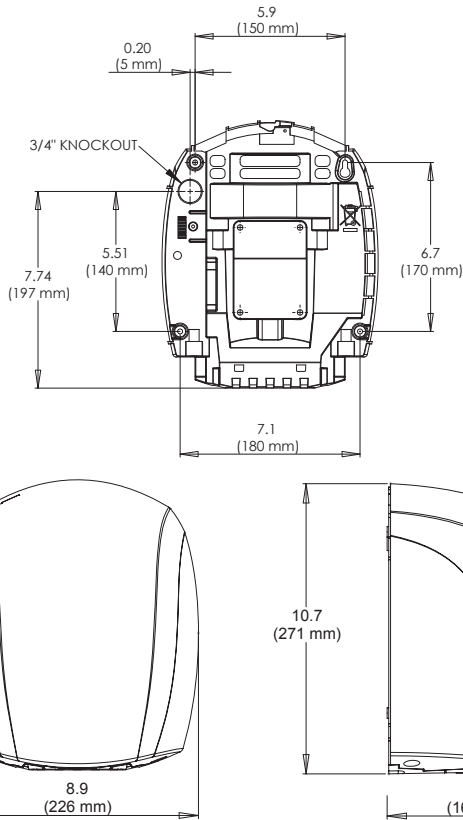
Cover options:

Cast Aluminum - with epoxy paint or chrome plating
Stainless steel - with a polished (bright) or brushed (satin) finish

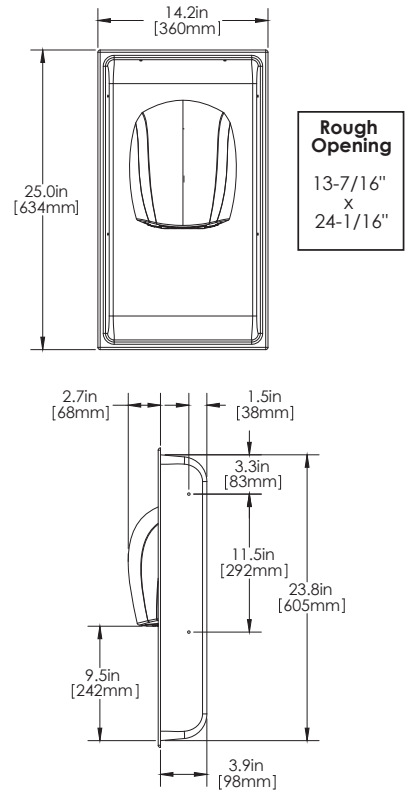
110 -120 V	208 - 240 V	220 - 240 V	Operation	Mounted	Cover Material, Cover Finish	Unit Weight	Shipping Weight	Unit Size (HxWxD) inch/mm	Shipping Size (HxWxD) inch/mm
J-974	J4-974	J48-974	Automatic	Surface	Aluminum, White	7.3 lbs 3.3 kgs	8.7 lbs 3.9 kgs	10.7"x 8.9"x 6.5" 272 x 226 x 165	14.5"x 11.5"x 8.25" 368 x 292 x 210
J-970	J4-970	J48-970	Automatic	Surface	Aluminum, Polished Chrome	7.3 lbs 3.3 kgs	8.7 lbs 3.9 kgs	10.7"x 8.9"x 6.5" 272 x 226 x 165	14.5"x 11.5"x 8.25" 368 x 292 x 210
J-971		J48-971	Automatic	Surface	Aluminum, Brushed Chrome	7.3 lbs 3.3 kgs	8.7 lbs 3.9 kgs	10.7"x 8.9"x 6.5" 272 x 226 x 165	14.5"x 11.5"x 8.25" 368 x 292 x 210
J-162	J4-162	J48-162	Automatic	Surface	Aluminum, Black	7.3 lbs 3.3 kgs	8.7 lbs 3.9 kgs	10.7"x 8.9"x 6.5" 272 x 226 x 165	14.5"x 11.5"x 8.25" 368 x 292 x 210
J-972		J48-972	Automatic	Surface	Stainless Steel, Polished	7.5 lbs 3.4 kg	9.0 lbs 4.1 kg	10.7"x 8.9"x 6.5" 272 x 226 x 165	14.5"x 11.5"x 8.25" 368 x 292 x 210
J-973		J48-973	Automatic	Surface	Stainless Steel, Brushed	7.5 lbs 3.4 kg	9.0 lbs 4.1 kg	10.7"x 8.9"x 6.5" 272 x 226 x 165	14.5"x 11.5"x 8.25" 368 x 292 x 210
KJR-973K-1 Optional Recess Kit *				Recessed	Stainless Steel, Brushed	8.4 lbs 3.8 kgs	11.9 lbs 5.4 kgs	25.0"x 15.0"x 4.0" 635 x 381 x 102	30"x 15"x 7.88" 760 x 380 x 200

* Recess kit is available for ADA compliance.

Surface Mounted



Recessed Mounted



Placement Instruction

- Hand dryers should be spaced at least 2 feet apart, near but not over the wash basin
- In congested areas, dryers should be located to create a flow from wash basin to dryer to exit
- Airforce should be placed more than 18" above or away from reflective surfaces which may interfere with the automatic sensor operation.
- Dryer Quantity Recommendation:
Average Traffic: 1 dryer per 2 wash basins
Heavy Traffic: 1 dryer per wash basin
Industrial 54" Circular wash fountains: 4 dryers per sink
- Recommended mounting heights from floor to dryer bottom edge

Men's washrooms	46" (117 cm)
Women's washrooms	44" (112 cm)
Children's washrooms, ages 4-7	32" (81 cm)
Children's washrooms, ages 7-10	36" (91 cm)
Children's washrooms, ages 10-13	40" (102 cm)
Children's washrooms, ages 13-17	44" (112 cm)
Wheelchair Accessibility	37" (94 cm)

Installation Guide

- Airforce hand dryers require a dedicated 15 AMP circuit and must be properly grounded
- GFI circuit protection is recommended.
- One side of dryer should be mounted to a stud

Certifications



Warranty



5 year limited warranty, 3 years motor & sensor



340 County Line Road
Bensenville, IL 60106 U.S.A.
800-323-0701
www.worlddryer.com



Rev A
Date: 09/22/2020
C.N. No. 143034
Dwg. No. SS 92-MT0005