

VMax[®] V2

Enhances the User Experience



Reimagine the next generation of hand dryers with the one that did it all first. VMax V2 is quiet, more comfortable to use and easier to maintain than the competition; yet it dries hands in as little as 12 seconds.

How else does it compare? It features a 25 percent wider drying cavity, brushless DC motor and vertical hands-in design to elevate the user experience. The VMax V2 also includes a water tray to keep water from pooling on the floor. The smart LED display indicates when it's time to empty the water tray and change the HEPA filter.

On top of the HEPA filtration, the antimicrobial technology delivers superior sanitation. It's a low maintenance solution for you and your employees and a highly hygienic hand dryer for users. Best of all, the VMax V2 meets ADA compliance. Every model is backed by a 5-year warranty for added peace of mind.



Fast Dry Time

Dries hands in as little as 10-12 seconds



Hygienic

Combines HEPA filtration and antimicrobial technology to enhance sanitation and capture 99.97% of pollutants including bacteria and viruses up to 0.3µm or larger



Water Collection

Collects residual water in a dedicated reservoir and prevents wet floor hazards



Intelligent Maintenance

Signals when filter should be changed or water reservoir emptied through LED display



Ergonomic Design

Creates a comfortable user experience with a 25% wider hand drying cavity

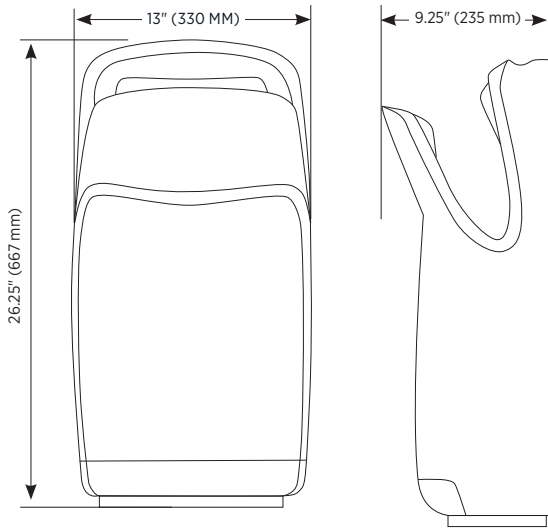


Surface-Mounted ADA Compliant

Ensures compliance suitable for walkways and pathways

World-Class to the Max

Specifications



110-120 V	220-240 V 50 HZ	COVER FINISH / KIT	COVER MATERIAL	UNIT WEIGHT	SHIPPING WEIGHT	UNIT SIZE (HXWXD) INCH [MM]	SHIPPING SIZE (HXWXD) INCH [MM]
	# V48-629CE2	Silver	High Impact ABS	19.5 lb / 8.9 kg	25 lb / 11.3 kg	13" x 26.25" x 9.25" [330 x 667 x 235]	16" x 28.5" x 12" [406 x 724 x 305]
# V-649A		Silver	High Impact ABS	19.5 lb / 8.9 kg	25 lb / 11.3 kg	13" x 26.25" x 9.25" [330 x 667 x 235]	16" x 28.5" x 12" [406 x 724 x 305]
# 93-10385		HEPA Filter with Odor Neutralizing Tablet		0.2 lb / 0.09 kg	0.36 lb / 0.17 kg	6" x 1" x 3.5" [152 x 25 x 89]	6" x 4" x 4" [152 x 102 x 102]



Silver Hi-Impact ABS

	110-120 V	220 - 240V 50 HZ
Amps	10 Amps	4.3 Amps
Watts	1000 Watts	1000 watts
Hz	60 Hz	50 Hz

Choose the VMax V2 design for your restroom environment. World Dryer puts visionary products within arm's reach.