

The Global GX series provides a quiet, compact, and long-lasting hand drying solution. Its durable vandal-resistant construction and long service brushless motor ensure continuous performance. Install the Global GX to meet your budget and prerequisites.

Product Benefits

- Brushless motor for long trouble-free service life
- Quiet operation
- Automatic touch-free activation
- Durable and vandal resistant
- 40 second dry time

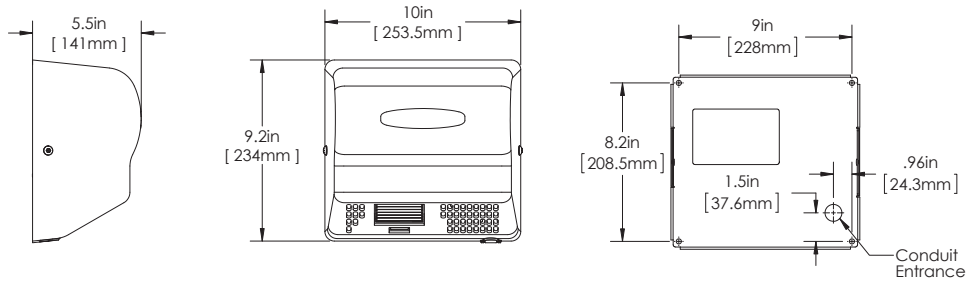


PERFORMANCE	
Dry Time:	40 seconds
Air Velocity:	45 mph (4,000 LFM)
Air Flow:	120 CFM
Air Temperature: (at 72°F room temperature)	120°F

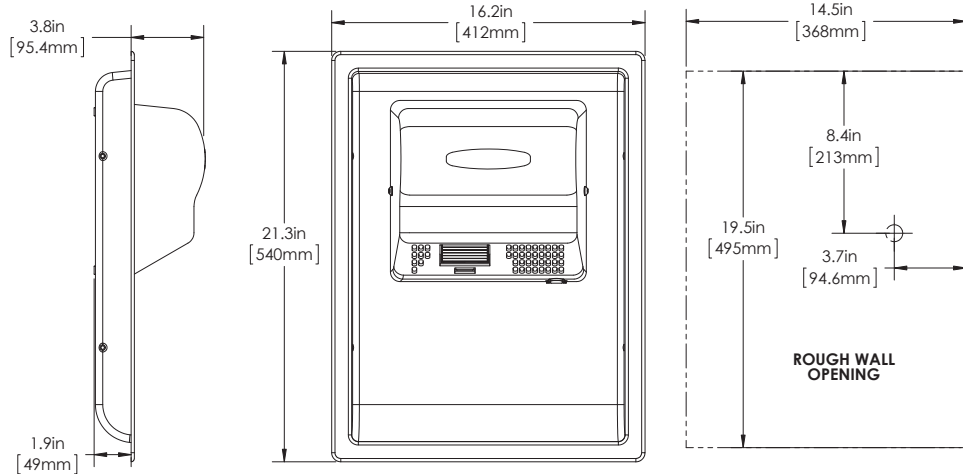
ELECTRICAL	
Voltage:	120 VAC
Power:	1320 watts
Frequency:	60 Hz
Recommended Circuit:	Dedicated 15 or 20 Amp

CONSTRUCTION	
Cover Options (Material/Finish)	High impact ABS (white) Epoxy painted steel (white)
Motor	Thermally-protected brushless induction type, 1/12HP, 3,100 RPM
Heating Element	Nichrome wire construction, 1200 watts, and auto-reset thermal-protector so power is disconnected if air is not flowing
Activation	Automatic touch-free infrared activation with 60 second vandal-resistant lock-out feature
Enclosure Security	Cover attached with tamper-resistant screws and security wrench included
Electrical Connection Access	Access for wall-mounted junction box and for bottom-entry surface mounted conduit
2-Year Limited Warranty	Warranted by the manufacturer to be free from defects in material workmanship for a period of two (2) years from the date of purchase. Warranty service include labor performed at factory as well as the repair or exchange of defective parts, at manufacturer's option.

SURFACE MOUNTED



RECESS MOUNTED



Placement Instructions

- Hand dryers should be spaced at least 2 feet apart, near but not over the washbasin
- In congested areas, dryers should be located to create a flow from wash basin to dryer to exit
- Global GX should be mounted at least 18" above or away from reflective surfaces which may interfere with the automatic sensor operation.
- Dryer Quantity Recommendation:
 - Average Traffic: 1 dryer per 2 wash basins
 - Heavy Traffic: 1 dryer per wash basin
 - Industrial 54" Circular wash fountains: 4 dryers per sink
- Recommended mounting heights from floor to dryer bottom edge

Men's washrooms	46" (117 cm)
Women's washrooms	44" (112 cm)
Children's washrooms, ages 4-7	32" (81 cm)
Children's washrooms, ages 7-10	36" (91 cm)
Children's washrooms, ages 10-13	40" (102 cm)
Children's washrooms, ages 13-17	44" (112 cm)
Handicap Mounting Height	37" (94 cm)

COVER MATERIAL/FINISH	ACTIVATION	MOUNTING	110-120 V US/CAN	UNIT SIZE (HXWXD) INCH [MM]	SHIPPING SIZE (HXWXD) INCH [MM]	SHIPPING WEIGHT
Steel White	Automatic	Surface	GX1-M	10.1" x 9.4" x 5.6" [257 x 239 x 142]	6.75" x 11.5" x 10.25" [171 x 292 x 260]	9.4 lb / 4.2 kg
White ABS	Automatic	Surface	GX1	10.1" x 9.4" x 5.6" [257 x 239 x 142]	6.75" x 11.5" x 10.25" [171 x 292 x 260]	8 lb / 3.6 kg