

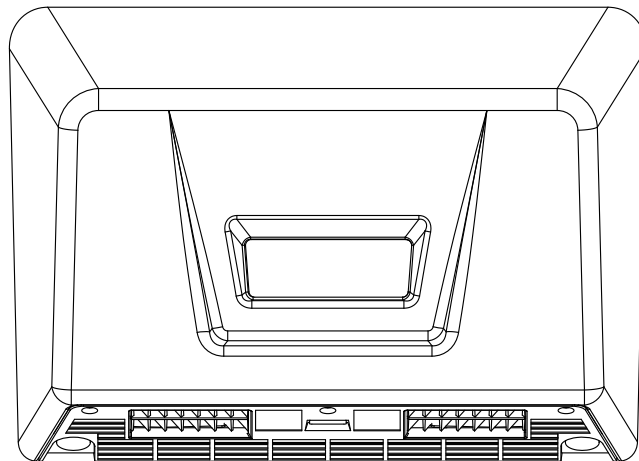
# NOVA 2

## Warm Air Hand Dryer

Secamanos por aire caliente • Sèche-mains à air chaud



**All 0930**  
Todos los modelos 0930  
Tous les modèles 0930



**Please read and save these instructions. Read carefully before attempting to assemble, install, operate or service the product described. Protect yourself and others by observing all safety information. Failure to comply with instructions could result in personal injury and/or property damage. Retain instructions for future reference.**

Por favor lea y guarde estas instrucciones. Léelas cuidadosamente antes de tratar de montar, instalar, operar o dar mantenimiento al producto aquí descrito. Protéjase usted mismo y a los demás observando toda la información de seguridad. No seguir las instrucciones puede ocasionar daños, tanto personales como materiales. Guarde estas instrucciones para referencia en el futuro.

Lire et conserver ces instructions. Il faut les lire attentivement avant de commencer à assembler, installer, faire fonctionner ou entretenir l'appareil décrit. Pour se protéger et protéger autrui, observer toutes les consignes de sécurité. Négliger d'appliquer ces instructions peut causer des blessures corporelles et (ou) des dommages matériels! Conserver ces instructions pour références ultérieures.



**World Dryer Corporation**

340 County Line Road  
Bensenville, IL 60106 U.S.A.  
800-323-0701  
[www.worlddryer.com](http://www.worlddryer.com)

## Description

NOVA 2 warm air hand dryer, powered by a dual blower, universal brush motor. This low profile, hand dryer is multi-voltage running on 110 up to 240 Volt AC electrical supply. Operation is automatically controlled on/off, by an infrared sensor. This appliance is intended for use in hand drying, contributing to hygienic and cost effective hand sanitation in commercial, office and medium duty environments.

## General Specifications

Models	Nozzle	Drying Cycle	Dimensions (WxDxH)	Weight
0930	Dual Blower	Automatic	14" x 10" x 4.5"	11.3 lbs

## Electrical Specifications

Models	Type	Electrical Input *	Amperage **	Watts
0930	Automatic	110-120 VAC, 50/60 Hz	15	1800
0930	Automatic	208-240 VAC, 50/60 Hz	10	2400

cULus Listed E19860

(\*) This hand dryer is a multi-voltage appliance that will self adjust to the available supply from 110 up to 240 VAC.

(\*\*) As measured, Root Mean Square (RMS)

## General Safety Information

**⚠ DANGER** Failure to disconnect the power source before installation can result in serious injury or death from electric shock.

- Always disconnect the power source before servicing or installing the hand dryer.

**⚠ DANGER** Failure to properly ground this unit could result in severe electrical shock and/or death.

- This hand dryer must be properly grounded (Earthed) for safe operation. An identified ground connection point is supplied on the chassis of this hand dryer.
- Although not required by the National Electrical Code, we recommend GFCI protection in wet or damp locations or as required by local code.

**⚠ WARNING** Risk of fire, personal injury or property damage are possible if local codes, NEC codes or safety recommendations are not followed.

- Use only the electrical power (voltage and frequency) specified for the model hand dryer being installed.
- Connect the hand dryer to the nearest suitable distribution panel.
- To limit a voltage drop, and insure efficient operation, use No. 12 wire or larger as required by local or National Electrical Code.
- Do not connect to a branch circuit with CB or fuse protection over 20 Amps. This is in compliance with The National Electrical Code.
- All automatic model hand dryers must have a dedicated 20 Amp circuit as required by Underwriters Laboratories, Inc. (UL).
- Route all field wiring away from any moving parts within the hand dryer.

**⚠ CAUTION** Improper mounting of this hand dryer could result in personal injury or property damage.

- Follow the mounting recommendations in Table 1.

**⚠ WARNING** Cancer and Reproductive Harm - [www.p65warnings.ca.gov](http://www.p65warnings.ca.gov)

## Unpacking

1. Remove all packing material. Recycling is recommended.
2. Carefully remove the hand dryer from the shipping carton, using care not to drop the appliance.
3. Inspect carefully for any damage that may have occurred during transit. Check for any loose, missing or damaged parts. If the hand dryer is damaged, promptly inform the dealer where you purchased it.

# Installation

**IMPORTANT:** Consult local and general regulations before performing dryer installation. Make certain the electrical network is not overloaded. Do not connect to a branch circuit with a circuit breaker or fuse rated over 20 Amps. This is a UL recommendation and complies with NEC.

1. Disconnect the power source.
2. Use the security hex key supplied to remove the three cover-mounting screws. Remove the cover from the dryer.
3. Place the template against the wall at the desired location, use information in Table 1 to determine the recommended mounting height. When two or more dryers are installed, they should be placed no closer than 24" (60 cm) from center to center. Mark the location of the four mounting bolt holes and the wire entry hole.
4. For recessed wiring, carry the supply wire to the dryer baseplate knockout and attach with an acceptable cable clamp. The dryer requires two conductors for power plus a separate ground wire.
5. For surface wiring, remove one of the two knockouts located at the bottom corners of the air intake. Pass the supply wire according to local code, through the knockout and attach it securely to the bracket. The bracket may be relocated to the opposite side of the dryer if desired. The dryer requires two conductors for power plus a separate ground wire.
6. Attach the mechanism firmly to the wall. For wood walls or wood studs, use No. 16 screws of proper length to ensure 1" (25 mm) minimum stud penetration. For masonry walls use expansion bolts or anchors for 1/4" (6 mm) screws of proper length to ensure penetration 1/4" (6 mm) deeper than anchor. Shim if necessary to ensure that the baseplate is level and flat against the wall.
7. Connect the supply wires to the terminal block where indicated. Connect the ground wire to the baseplate with the ground screw.
8. Replace the cover. **Do not overtighten the screws.**

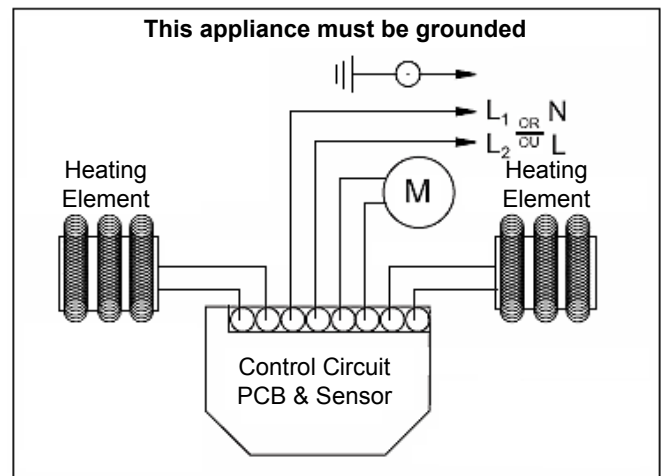
**NOTE:** The security hex key should be retained by the service engineer and not the user to prevent unqualified servicing.

**INSTALLATION MUST BE PERFORMED BY QUALIFIED ELECTRICAL PERSONNEL.**

**Table 1 - Recommended Mounting Heights**

Recommended Mounting Heights from Bottom Edge of Dryer	in. (cm.)
Men's washrooms	49 (126)
Women's washrooms	47 (119)
Children's washrooms, ages 4-7	35 (88)
Children's washrooms, ages 8-10	39 (99)
Children's washrooms, ages 11-13	43 (109)
Children's washrooms, ages 14-16	47 (119)
Handicap Mounting Height	37 (94)

**Figure 1 – Wiring Diagram**



# Maintenance

Proper maintenance should be performed on the units at least every 6 months under normal use.

## CLEANING

Cleaning and maintenance must be performed by qualified electrical personnel.

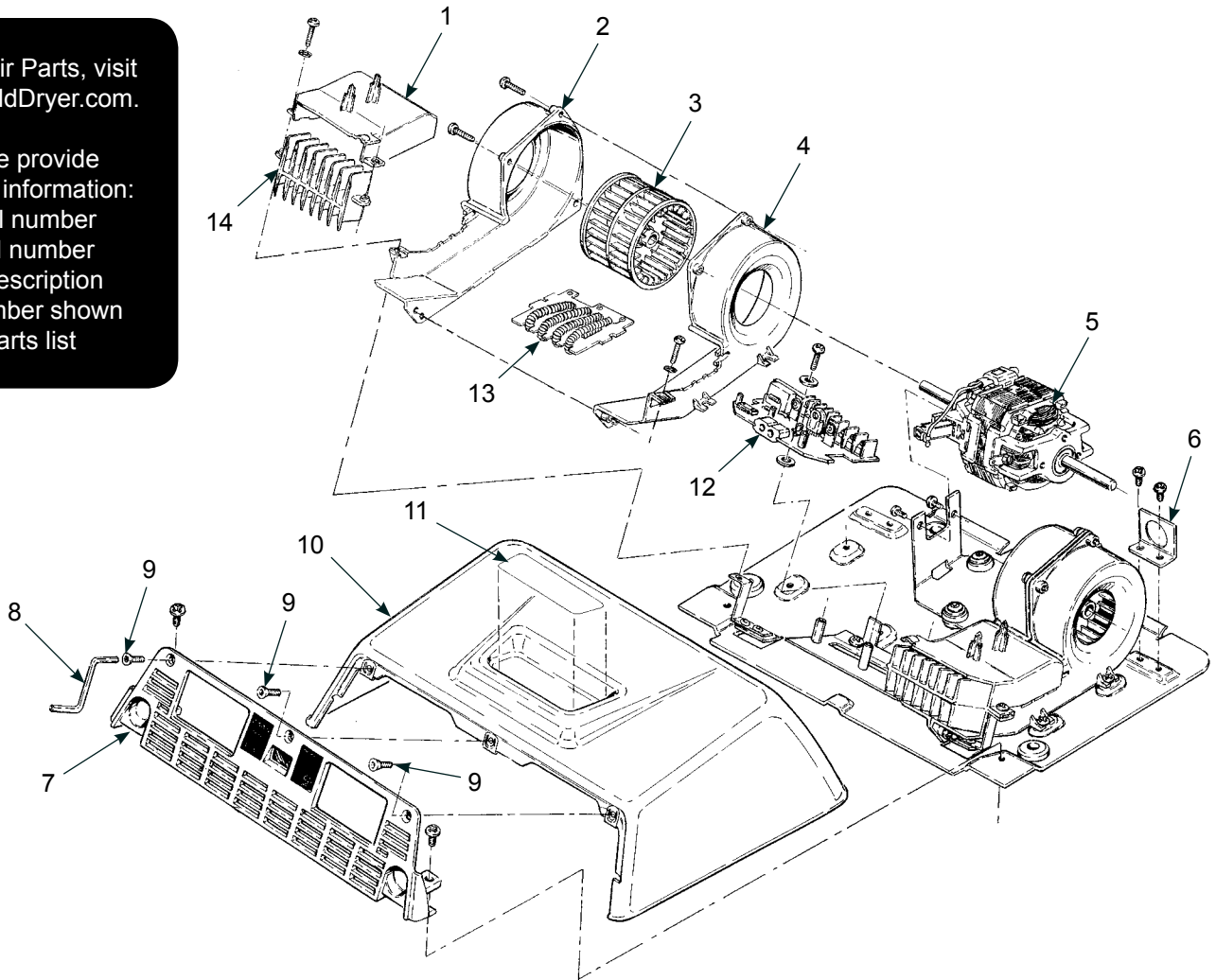
1. Disconnect the electrical supply.
2. Use the security hex key to remove the three cover-mounting screws.
3. Remove the cover.
4. Clean all dust and lint from the interior of the dryer.
5. Replace the cover. Do not over-tighten the screws.
6. Wipe the cover with a damp cloth. Never use abrasives to clean the cover.

# Parts List

Figure 2 – Repair Parts List for Warm Air Hand Dryer

For Repair Parts, visit  
[www.WorldDryer.com](http://www.WorldDryer.com).

Please provide  
 following information:  
 Model number  
 Serial number  
 Part description  
 and number shown  
 in parts list



#	Description	Part Number	Qty.
1	Blower Housing Lid	47-006373	2
2	Blower Housing - Left	47-006372	2
3	Blower Wheel	22-006377	2
4	Blower Housing - Right	47-006371	2
5	Motor	32-006738K	1
6	Conduit Bracket	33-005870	1
7	Inlet Grill, Black	28-006518K	1
8	Tamperproof Allen Key	56-005034	1
9	Cover Screws	46-006393	3
10	Cover - Enameled Steel	20-059200K	1
11	Logo Sticker	38-006395	1
12	Circuit Board	16-055568K	1
13	Heating Element Assembly	21-055637K	2
14	Air Outlet Baffle	12-055881	2
Δ	Terminal Block	15-006531	1
Δ	Sensor Lens	30-10065	1

(Δ) Not shown.

# Troubleshooting Chart

Trouble shooting should only be conducted by a qualified electrician.

Symptom	Possible Cause(s)	Corrective Action
Dryer will not run	1. Defective circuit board	1a. First ensure that the breaker supplying the dryer is operational 1b. If it is, disconnect the power and remove the dryer cover. Taking suitable precautions to avoid shock hazard, reconnect the power and check for voltage at the wire leads 1c. If there is power and the dryer will not run, replace the circuit board
Dryer cycles by itself, runs all the time, or is not sensitive enough	1. Obstructions between the infra-red "eyes" or defective circuit board	1a. Ensure that there is no obstruction on or in front of the infra-red lens 1b. Disconnect the power. Remove the dryer cover and the screws holding the circuit board. Ensure that there are no obstructions between the infra-red "eyes" on the circuit board and the lens 1c. If the problem persists, replace the circuit board
Elements get hot but the fan motor does not turn	1. Obstructions in the fan housings 2. Damaged fans 3. Defective motor	1. Disconnect the power. Remove the dryer cover and check for obstructions in the fan housings 2. Damaged fans must be replaced 3. If there are no obstructions, replace the motor
Fan motor runs but one of the elements does not get hot	1. Loose or damaged wires or defective element	1a. Disconnect the power and remove the dryer cover. Check for loose or damaged wires. Remove the access cover on the blower housing. Check the element for signs of burning or breakage. Damaged elements must be replaced 1b. If the element does not appear damaged, disconnect it at the circuit board and check for continuity across the two element wires. An open circuit indicates damage to the integral temperature limit control. If this is the case, replace the element

## Limited Warranty

**WORLD DRYER LIMITED WARRANTY.** World Dryer™ Warm Air Hand Dryers, North American models covered in this manual, are warranted by World Dryer Corporation to the original owner against defects in workmanship or materials under normal use for two years after the date of purchase. Normal wear or abuse of any component is excluded from this warranty. Any part which is determined to be defective in material or workmanship and returned, shipping costs prepaid, will be, as the exclusive remedy, repaired or replaced at World's option. For limited warranty claim procedures, see "PROMPT DISPOSITION" below. This limited warranty gives purchasers specific legal rights which vary from jurisdiction to jurisdiction.

**LIMITATION OF LIABILITY.** To the extent allowable under applicable law, World's liability for consequential and incidental damages is expressly disclaimed.

World's liability in all events is limited to and shall not exceed the purchase price paid.

**WARRANTY DISCLAIMER.** World has made a diligent effort to provide product information and illustrate the products in this literature accurately; however, such information and illustrations are for the sole purpose of identification, and do not express or imply a warranty that the products are MERCHANTABLE, or FIT FOR A PARTICULAR PURPOSE, or that the products will necessarily conform to the illustrations or descriptions. Except as provided below, no warranty or affirmation of fact, expressed or implied, other than as stated in the "LIMITED WARRANTY" above is made or authorized by World.

**PRODUCT SUITABILITY.** Many jurisdictions have codes and regulations governing sales, construction, installation, and/or use of products for certain purposes, which may vary from those in neighboring areas. While World attempts to assure that the products comply with such codes, it cannot guarantee compliance, and cannot be responsible for how the product is installed or used. Before purchase and use of a product, review the product application, and all applicable national and local codes and regulations, and be sure that the product, installation, and use will comply with them.

Certain aspects of disclaimers are not applicable to consumer products; e.g., (a) some jurisdictions do not allow the exclusion or limitation of incidental or consequential damages, so the above limitation or exclusion may not apply to you; (b) also, some jurisdictions do not allow a limitation on how long an implied warranty lasts, consequentially the above limitation may not apply to you; and (c) by law, during the period of this Limited Warranty, and implied warranties of implied merchantability or fitness for particular purpose applicable to consumer products purchased by consumers, may not be excluded or otherwise disclaimed.

Manufactured by World Dryer Corporation, Berkeley, Illinois 60163 U.S.A.

**PROMPT DISPOSITION.** World will make a good faith effort for prompt correction or other adjustment with respect to any product which proves to be defective within limited warranty. For any product believed to be defective within limited warranty, first write or call dealer from whom the product was purchased. Dealer will give additional directions. If unable to resolve satisfactorily, write to World, giving dealer's name, address, date, and number of dealer's invoice, and describing the nature of defect.

Title and risk of loss pass to buyer on delivery to common carrier. If product was damaged in transit to you, file claim with carrier.



340 County Line Road  
Bensenville, IL 60106 U.S.A.  
800-323-0701  
www.worlddryer.com

## Descripción

El Secamanos por aire caliente NOVA 2 es impulsado por un motor universal con escobillas y tiene dos sopladores. Este secamanos de bajo perfil es multivoltaje y funciona con un suministro eléctrico de 110 hasta 240 voltios de CA. Un sensor infrarrojo activa o desactiva automáticamente la función de la unidad. Este aparato ha sido diseñado para uso como un secador de manos, lo cual contribuye a una limpieza higiénica y costo-efectiva de las manos en entornos de servicio mediano, oficinas y comerciales.

## Especificaciones Generales

Modelos	Boquilla	Tiempo de secado	Dimensiones (AxPxAl)	Peso
0930	Dos sopladores	Automático	356 mm x 254 mm x 114 mm (14 pulg. x 10 pulg. x 4.5 pulg.)	5.1 kg (11.3 lb)

## Especificaciones del Sistema Eléctrico

Modelos	Tipo	Entrada eléctrica *	Amperaje **	Vatios
0930	Automático	110-120 V CA, 50/60 Hz	15	1800
0930	Automático	208-240 V CA, 50/60 Hz	10	2400

Clasificación cULus E19860

(\*) Este secamanos es un aparato multivoltaje que se autoajustará al suministro eléctrico disponible, desde 110 hasta 240 VCA.

(\*\*) Valor medido, Raíz Cuadrada Media (Root Mean Square (RMS, en inglés))

## Información de Seguridad General

**⚠ PELIGRO** La falta de desconectar la fuente de alimentación eléctrica antes de realizar la instalación, puede resultar en lesiones graves o la muerte debido a un choque eléctrico.

- Siempre desconecte la fuente de alimentación antes de instalar el secamanos o darle mantenimiento.

**⚠ PELIGRO** La falta de conectar correctamente a tierra esta unidad puede resultar en un choque eléctrico grave y/o la muerte.

- Este secamanos se debe conectar correctamente a tierra (unida a tierra) para que funcione en forma segura. En el chasis del secamanos se suministra un punto de conexión a tierra identificado.
- Aunque el Código Eléctrico Nacional (NEC, por sus siglas en inglés) estadounidense no lo exige, nosotros recomendamos utilizar una protección GFCI (interruptor de circuito de fallo a tierra) en los lugares mojados o húmedos o donde lo exija el código local.

**⚠ ADVERTENCIA** Los siguientes: riesgo de incendio, lesiones personales o daño a la propiedad son posibles si no se cumple con los códigos locales, el código eléctrico nacional (NEC) estadounidense o las recomendaciones de seguridad.

- Utilice únicamente la energía eléctrica (voltaje y frecuencia) especificada para el modelo de secamanos que se esté instalando.
- Conecte el secamanos en el panel de distribución adecuado más cercano.
- Para limitar las caídas de voltaje, y garantizar un funcionamiento eficiente, utilice un conductor de tamaño número 12 o más grande de acuerdo con los requisitos de su localidad o del código eléctrico nacional.
- No conecte la unidad en un circuito ramal con protección de un cortacircuito o fusible de más de 20 amperios. Esto es de acuerdo con la norma del Código Eléctrico Nacional.
- Todos los modelos automáticos de secamanos deben tener un circuito dedicado de 20 amperios para satisfacer los requisitos de Underwriters Laboratories, Inc. (UL).
- Encamine todo el cableado realizado durante la instalación lejos de todas las partes móviles dentro del secamanos.

**⚠ ATENCIÓN** El montaje incorrecto de este secamanos puede ocasionar lesiones personales o daño a la propiedad.

- Siga las recomendaciones de montaje en la Tabla 1.

**⚠ ADVERTENCIA** Cáncer y daño reproductivo - [www.p65warnings.ca.gov](http://www.p65warnings.ca.gov)

## Desembalaje

1. Retire todos los materiales de embalaje. Se recomienda reciclar los materiales.
2. Extraiga cuidadosamente el secamanos de la caja de envío, sin dejar caer el aparato.
3. Inspeccione el producto cuidadosamente para verificar si se han producido daños durante el transporte. Revise para verificar si hay partes sueltas, que faltan o que están dañadas. Si el secamanos está dañado, infórmele prontamente sobre dicho daño al concesionario de quien compró el secamanos.

# Instalación

**IMPORTANTE:** Consulte los reglamentos locales y generales antes de realizar la instalación del secamanos. Verifique que la red eléctrica no esté sobrecargada. No conecte la unidad a un circuito derivado cuyo cortacircuito o fusible sobrepase los 20 amperios. Ésta es una recomendación de UL y cumple con la norma del Código Eléctrico Nacional (NEC, por sus siglas en inglés).

1. Desconecte la fuente de alimentación.
2. Utilice la llave hexagonal de seguridad suministrada para extraer los tres (3) tornillos de montaje de la cubierta. Retire la cubierta del secador.
3. Coloque la plantilla contra la pared en el lugar deseado, y use la información en la Tabla 1 para determinar la altura de montaje recomendada. Cuando se instalan dos o más secadores, estos deben colocarse a no menos de 60 cm (24 pulg.) de centro a centro uno de otro. Marque la posición de los cuatro agujeros para los pernos de montaje y el agujero de entrada del cable.
4. Para un cableado empotrado, tienda el cable de suministro hasta el agujero ciego en la placa base del secador y sujételo con una abrazadera de cable aceptable. El secador requiere dos conductores para la potencia más un conductor de tierra separado.
5. Para un cableado superficial, destape uno de los dos agujeros ciegos que están situados en las esquinas inferiores de la entrada de aire. Pase el cable de suministro de acuerdo con los códigos locales, a través del agujero ciego y sujételo firmemente en el soporte. Si lo desea, se puede colocar el soporte en el lado opuesto del secador. El secador requiere dos conductores para la potencia más un conductor de tierra separado.
6. Instale firmemente el mecanismo en la pared. Para paredes de madera o montantes de madera, utilice tornillos número 16 de longitud adecuada para garantizar una penetración de 25 mm (1 pulg.) como mínimo en el montante. Para paredes de mampostería, utilice pernos de expansión o anclas para tornillos de 6 mm (1/4 pulg.) de longitud adecuada para garantizar que la penetración sea 6 mm (1/4 pulg.) más profunda que el ancla. Coloque calzos según sea necesario para garantizar que la placa base esté nivelada y plana contra la pared.
7. Conecte los conductores de suministro en el bloque de terminales, donde se indica. Conecte el conductor de tierra en la placa base con el tornillo de tierra.
8. Vuelva a instalar la cubierta. **No apriete los tornillos demasiado.**

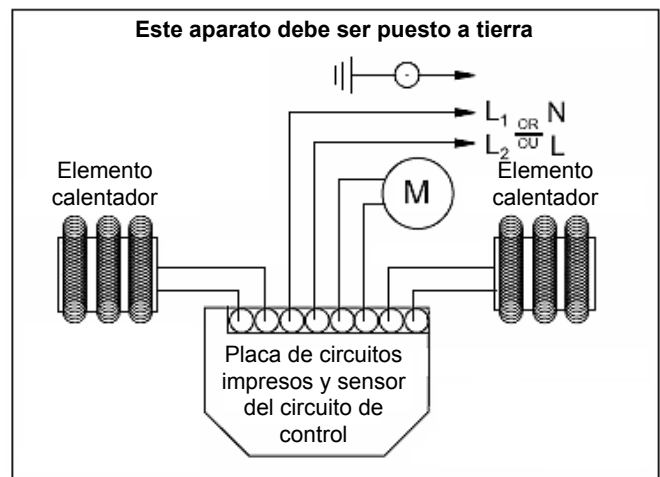
**AVISO:** El ingeniero de servicio en vez del usuario debe retener la llave hexagonal de seguridad para impedir que una persona no calificada repare o le dé mantenimiento a la unidad.

**LA INSTALACIÓN DEBE SER REALIZADA POR PERSONAL ELÉCTRICO CALIFICADO.**

**Tabla 1 – Alturas de Montaje Recomendadas**

Alturas de montaje recomendadas desde el borde inferior del secamanos	cm (pulg.)
Baños de hombres	126 (49)
Baños de mujeres	119 (47)
Baños de niños, 4 a 7 años de edad	88 (35)
Baños de niños, 8 a 10 años de edad	99 (39)
Baños de niños, 11 a 13 años de edad	109 (43)
Baños de niños, 14 a 16 años de edad	119 (47)
Altura de montaje para discapacitados	94 (37)

**Figura 1 – Diagrama Eléctrico**



# Mantenimiento

Se les debe dar un mantenimiento adecuado a las unidades al menos a cada 6 meses bajo uso normal.

## LIMPIEZA

Toda limpieza y mantenimiento deben ser realizados por personal eléctrico calificado.

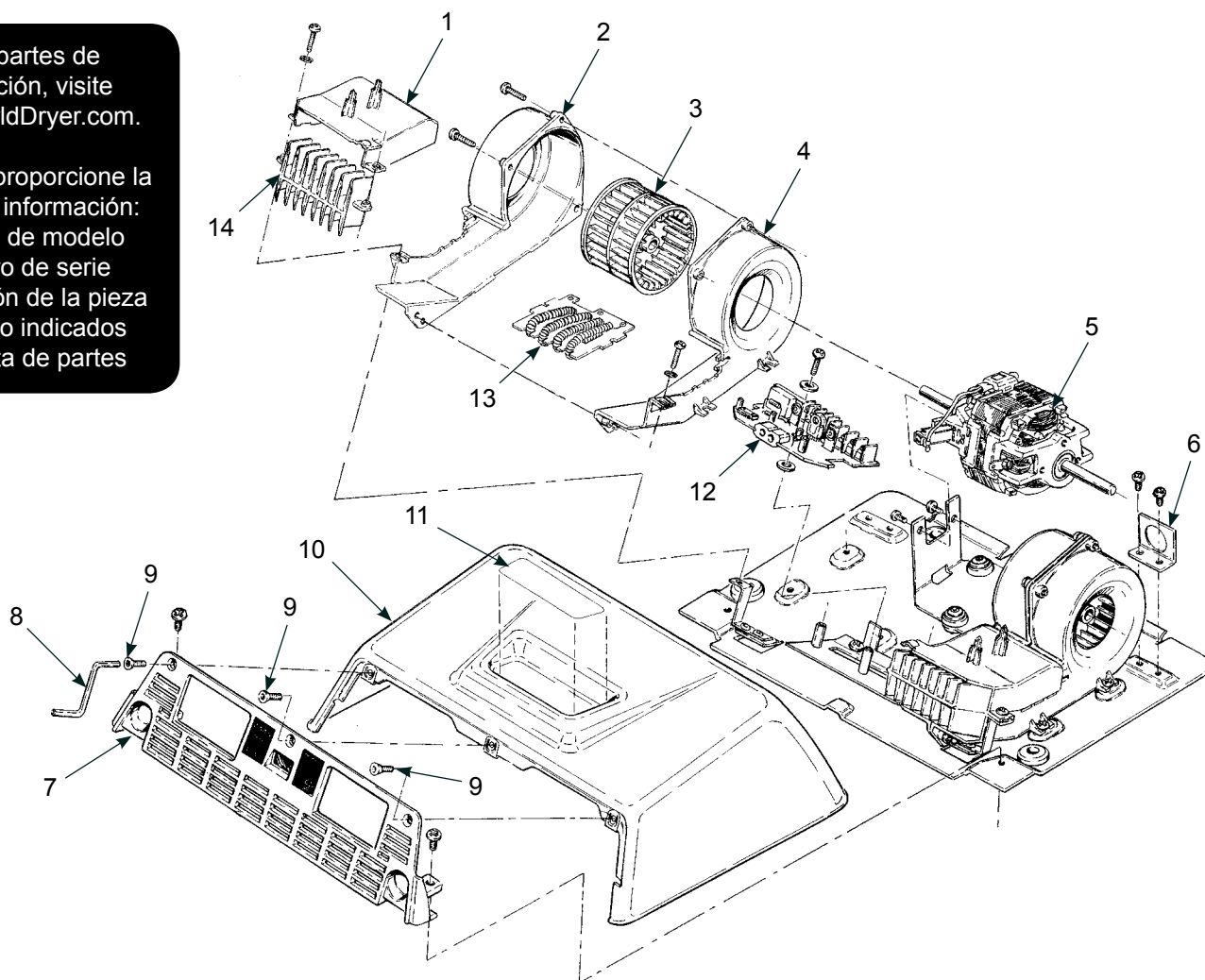
1. Desconecte el suministro eléctrico.
2. Utilice la llave hexagonal de seguridad para extraer los tres (3) tornillos de montaje de la cubierta.
3. Retire la cubierta.
4. Limpie todo el polvo y todas las pelusas del interior del secador.
5. Vuelva a instalar la cubierta. No apriete los tornillos demasiado.
6. Limpie la cubierta con un paño suave. Nunca use abrasivos para limpiar la cubierta.

# Lista de Piezas

Figura 2 – Lista de Partes de Reparación para el Secamanos por Aire Caliente

Para partes de reparación, visite [www.WorldDryer.com](http://www.WorldDryer.com).

Por favor proporcione la siguiente información:  
 Número de modelo  
 Número de serie  
 Descripción de la pieza y número indicados en la lista de partes



#	Descripción	Número de Parte	Cant.
1	Cubierta del alojamiento del soplador	47-006373	2
2	Alojamiento izquierdo del soplador	47-006372	2
3	Rueda del soplador	22-006377	2
4	Alojamiento derecho del soplador	47-006371	2
5	Motor	32-006738K	1
6	Soporte del conducto	33-005870	1
7	Rejilla de entrada, negra	28-006518K	1
8	Llave Allen a prueba de manipulaciones	56-005034	1
9	Tornillos de la cubierta	46-006393	3
10	Cubierta – Acero de porcelana	20-059200K	1
11	Placa con logotipo	38-006395	1
12	Placa de circuitos	16-055568K	1
13	Conjunto del elemento calentador	21-055637K	2
14	Deflector de la salida de aire	12-055881	2
Δ	Bloque de terminales	15-006531	1
Δ	Lente del sensor	30-10065	1

(Δ) No mostrada.



# Tabla de Identificación de Problemas

Sólo un electricista calificado debe diagnosticar y solucionar posibles fallas.

Síntoma	Causa(s) Posible(s)	Medida Correctiva
El secador no funciona	1. Placa de circuitos defectuosa	1a. Primero asegúrese que el cortacircuito que suministra al secador funcione correctamente 1b. Si es así, desconecte la potencia y desmonte la cubierta del secador. Tomando las precauciones adecuadas para evitar un choque eléctrico, vuelva a conectar la potencia y verifique el voltaje en los conductores de acometida 1c. Si hay potencia y el secador no funciona, reemplace la placa de circuitos
El secador cicla por sí mismo, funciona todo el tiempo, o no es suficientemente sensible	1. Hay obstrucciones entre los "ojos" infrarrojos o la placa de circuitos está defectuosa	1a. Asegúrese que no haya ninguna obstrucción sobre o en frente de la lente infrarroja 1b. Desconecte la potencia. Desmonte la cubierta del secador y extraiga los tornillos que sujetan la placa de circuitos. Asegúrese que no haya ninguna obstrucción entre los "ojos" infrarrojos en la placa de circuitos y la lente 1c. Si el problema persiste, reemplace la placa de circuitos
Los elementos se calientan pero el motor del ventilador no funciona	1. Hay obstrucciones en los alojamientos de ventilador 2. Ventilador dañado 3. Motor defectuoso	1. Desconecte la potencia. Desmonte la cubierta del secador y verifique que no haya obstrucciones en los alojamientos del ventilador 2. Los ventiladores dañados se deben reemplazar 3. Si no hay obstrucciones, reemplace el motor
El motor del ventilador funciona pero uno de los elementos no calienta	1. Conductores sueltos o dañados o elemento defectuoso	1a. Desconecte la potencia y desmonte la cubierta del secador. Verifique que los cables no estén sueltos ni dañados Retire la cubierta de acceso en el alojamiento del soplador. Revise el elemento para ver si exhibe señales de quemadura o rotura. Reemplace los elementos si están dañados 1b. Si el elemento no aparenta estar dañado, desconéctelo en la placa de circuitos y verifique su continuidad a través de los dos conductores del elemento. Un circuito abierto indica que el control de límite de temperatura integral está dañado. Si es así, reemplace el elemento

## Garantía Limitada

**GARANTÍA LIMITADA DE WORLD DRYER.** World Dryer Corporation le garantiza al usuario original que los modelos de Secamanos por aire caliente World Dryer™, Norte Americanos tratados en este manual estarán libres de defectos en la mano de obra o el material, cuando se le somete a uso normal, por dos (2) años a partir de la fecha de compra. El desgaste normal o abuso de cualquier componente se excluye de esta garantía. Cualquier pieza que se halle defectuosa, ya sea por materiales o mano de obra, y se devuelva con los costos de envío pagados por adelantado, se reparará o reemplazará, como remedio exclusivo, a la discreción de World Dryer. Para información relacionada con los procedimientos de reclamación provistos por la garantía limitada, consulte más adelante la sección "ATENCIÓN OPORTUNA". Esta garantía limitada confiere a los compradores derechos legales específicos que varían de jurisdicción a jurisdicción.

**LÍMITES DE RESPONSABILIDAD.** En la medida en que las leyes aplicables lo permitan, se excluye expresamente la responsabilidad de World Dryer por daños indirectos o menores. La responsabilidad de World Dryer se limita al precio de compra pagado, al cual no sobrepasará.

**EXCLUSIÓN DE RESPONSABILIDAD DE LA GARANTÍA.** World Dryer se ha esforzado diligentemente en proporcionar a través de este manual información e ilustraciones concernientes al producto; sin embargo, esta información y estas ilustraciones tienen como único fin la identificación del producto, y no expresan ni implican garantía de que los productos sean VENDIBLES o ADECUADOS A UN PROPÓSITO EN PARTICULAR, ni que se ajusten necesariamente a las ilustraciones o descripciones. Con excepción de lo que se establece a continuación, World Dryer no hace ni autoriza ninguna garantía o afirmación de hecho, expresa o implícita, que no se estipule en la "GARANTÍA LIMITADA" anterior.

**ADECUACIÓN DEL PRODUCTO.** Muchas jurisdicciones tienen códigos o regulaciones sobre la venta, el diseño, la instalación y/o el uso de productos para ciertas aplicaciones; dichas leyes pueden variar de un área a otra. Si bien World Dryer trata de que los productos cumplan con estos códigos, no puede garantizar su cumplimiento ni puede hacerse responsable de la forma en que se instale o utilice el producto. Antes de comprar y utilizar el producto, revise su aplicación y todos los códigos y reglamentos nacionales y locales aplicables, y asegúrese de que el producto, la instalación y el uso los cumplan.

Ciertos aspectos de las limitaciones de responsabilidad no se aplican a los productos de consumo; es decir (a) algunas jurisdicciones no permiten la exclusión o limitación de daños menores o indirectos, por lo cual la limitación o exclusión anterior quizás no se aplique en su caso; (b) asimismo, algunas jurisdicciones no permiten limitar el plazo de las garantías implícitas, por lo cual la limitación anterior quizás no se aplique en su caso; y (c) por ley, mientras estén vigentes, no pueden excluirse ni de ninguna otra manera denegarse la Garantía Limitada y las garantías implícitas de comerciabilidad o idoneidad para un propósito en particular implícitas que corresponden a los productos de consumo adquiridos por los consumidores.

Fabricado por World Dryer Corporation, Berkeley, Illinois 60163 U.S.A.

**ATENCIÓN OPORTUNA.** World Dryer hará un esfuerzo de buena fe para corregir oportunamente o hacer otros ajustes relacionados con cualquier producto que resulte defectuoso dentro de los términos de esta garantía limitada. En el caso de que encuentre un producto defectuoso y que esté cubierto dentro de los límites de esta garantía haga el favor de escribir primero, o llame, al distribuidor a quien le compró el producto. El distribuidor le dará las instrucciones adicionales. Si no logra resolver el problema de forma satisfactoria, escriba a World, y proporcione el nombre y la dirección del distribuidor, así como la fecha y el número de su factura, y describa la naturaleza del defecto. La propiedad del artículo y el riesgo de pérdida pasan al comprador en el momento de la entrega del artículo a la compañía de transporte. Si el producto se daña durante el transporte, debe presentar su reclamo a la compañía transportista.



340 County Line Road  
Bensenville, IL 60106 U.S.A.  
800-323-0701  
www.worlddryer.com

## Description

Le sèche-mains à air chaud NOVA 2, est alimenté par deux soufflantes entraînées par moteur universel à balais. Ce sèche-mains à profil bas est un appareil multitenion, qui fonctionne sur une alimentation électrique alternative de 110 volts c.a. à 240 volts c.a. La mise en marche et l'arrêt sont automatiquement commandés par un capteur infrarouge. Cet appareil est conçu pour sécher les mains de façon sanitaire, d'une manière hygiénique et économique dans les établissements commerciaux, les bureaux et dans les conditions ambiantes modérées.

## Caractéristiques générales

Modèles	Busse	Cycle de séchage	Dimensions (Lar. x P x H)	Poids
0930	Double soufflante	Automatique	35,6 cm x 25,4 cm x 11,4 cm (14 po x 10 po x 4,5 po)	5,1 kg (11,3 lb)

## Caractéristiques électriques

Modèles	Type	Alimentation électrique *	Intensité nominale **	Puissance nom. (watts)
0930	Automatique	110-120 V c.a., 50/60 Hz	15	1 800
0930	Automatique	208-240 V c.a., 50/60 Hz	10	2 400

Homologation cULus E19860

(\*) Ce sèche-mains est un appareil multitenion dont le réglage s'effectue automatiquement en fonction de l'alimentation disponible, de 110 V c.a. à 240 V c.a.

(\*\*) Telle que mesurée, valeur efficace (RMS)

## Consignes générales de sécurité

### **DANGER**

**Négliger de débrancher la source d'alimentation avant de procéder à l'installation peut entraîner des blessures graves voire mortelles provoquées par un choc électrique.**

- Toujours débrancher la source d'alimentation avant de réparer ou d'installer le sèche-mains.

### **DANGER**

**Négliger de mettre cet appareil à la terre correctement peut entraîner un choc électrique grave voire mortel.**

- Ce sèche-mains doit être mis à la terre correctement pour fonctionner en toute sécurité. Un point de raccordement à la terre est identifié sur le châssis du sèche-mains.
- Bien que cela ne soit pas requis par le NEC (National Electrical Code), nous recommandons une protection par disjoncteur de fuite à la terre dans les endroits mouillés ou humides, ou lorsque le code local l'exige.

### **AVERTISSEMENT**

**Un risque d'incendie, de blessures ou de dommages matériels est possible en cas de non-respect des codes locaux, du NEC (National Electrical Code) ou des recommandations de sécurité.**

- N'utiliser que le type d'alimentation électrique (tension et fréquence) spécifié pour le modèle de sèche-mains en cours d'installation.
- Raccorder le sèche-mains au tableau de distribution adapté le plus proche.
- Pour limiter les chutes de tension et garantir un fonctionnement efficace, utiliser du fil de calibre 12 ou plus gros conformément au code électrique local ou au NEC (National Electrical Code).
- Ne pas raccorder l'appareil à un circuit de dérivation protégé par un disjoncteur ou un fusible de plus de 20 ampères. Cette exigence est stipulée par le Code national de l'électricité.
- Pour se conformer à l'homologation Underwriters Laboratories, Inc. (UL), tous les modèles automatiques de sèche-mains doivent être installés sur un circuit spécialisé de 20 ampères.
- Faire passer l'ensemble du câblage sur site à l'écart des pièces mobiles qui sont à l'intérieur du sèche-mains.

### **ATTENTION**

**Un montage incorrect de ce sèche-mains risque de provoquer des blessures ou des dommages matériels.**

- Suivre les recommandations de montage indiquées dans le Tableau 1.

### **AVERTISSEMENT**

**Cancer et effets néfastes sur la reproduction - [www.p65warnings.ca.gov](http://www.p65warnings.ca.gov)**

## Déballage

1. Enlever tous les produits d'emballage. Il est recommandé de les recycler.
2. Sortir le sèche-mains du carton avec précaution, en veillant à ne pas le faire tomber.
3. Vérifier soigneusement qu'aucun dommage n'est survenu durant le transport. Examiner les pièces pour vérifier si certaines sont desserrées, manquantes ou endommagées. Si le sèche-mains est endommagé, en informer immédiatement le concessionnaire qui l'a vendu.

# Installation

**IMPORTANT:** Consulter les réglementations locales et générales avant d'installer le sèche-mains. S'assurer que le réseau électrique n'est pas surchargé. Ne pas raccorder l'appareil à un circuit de dérivation protégé par un disjoncteur ou un fusible de plus de 20 ampères. Il s'agit d'une recommandation UL conforme au NEC (National Electrical Code).

1. Couper la source d'alimentation électrique.
2. Utiliser la clé six pans de sécurité fournie pour enlever les trois (3) vis de montage du capot. Déposer le capot du sèche-mains.
3. Placer le gabarit d'installation sur le mur à l'emplacement souhaité en se reportant au Tableau 1 pour déterminer la hauteur de montage recommandée. Pour deux sèche-mains ou plus, observer une distance minimale de séparation entre eux de 60 cm (24 po) de centre à centre. Marquer l'emplacement des quatre trous des boulons de montage et de l'orifice d'entrée du câble.
4. Pour un câblage encastré, acheminer le câble d'alimentation vers la partie à défoncer de la plaque de base du sèche-mains et le fixer au moyen d'un serre-câble adapté. Le sèche-mains nécessite deux conducteurs d'alimentation plus un fil supplémentaire de mise à la terre.
5. Pour un câblage en surface, enlever une des deux parties à défoncer situées dans les angles inférieurs de l'entrée d'air. Acheminer le câble d'alimentation conformément au code local à travers la partie défoncée et le fixer solidement au support. Au besoin, le support peut être déplacé sur le côté opposé du sèche-mains. Le sèche-mains nécessite deux conducteurs d'alimentation plus un fil supplémentaire de mise à la terre.
6. Fixer le dispositif solidement au mur. Sur des murs ou des montants en bois, utiliser des vis n° 16 d'une longueur adaptée pour assurer une pénétration dans le montant d'au moins 25 mm (1 po). Sur des murs en maçonnerie, utiliser des boulons ou des ancrages à expansion pour des vis de 6 mm (1/4 po) de longueur adaptée pour assurer une pénétration de 6 mm (1/4 po) de plus que les ancrages. Caler le dispositif si nécessaire pour que la plaque de base soit de niveau et à plat contre le mur.
7. Brancher les fils d'alimentation au bornier comme indiqué. Brancher le fil de mise à la terre à la plaque de base au moyen de la vis de borne de terre.
8. Remettre le capot en place. **Ne pas trop serrer les vis.**

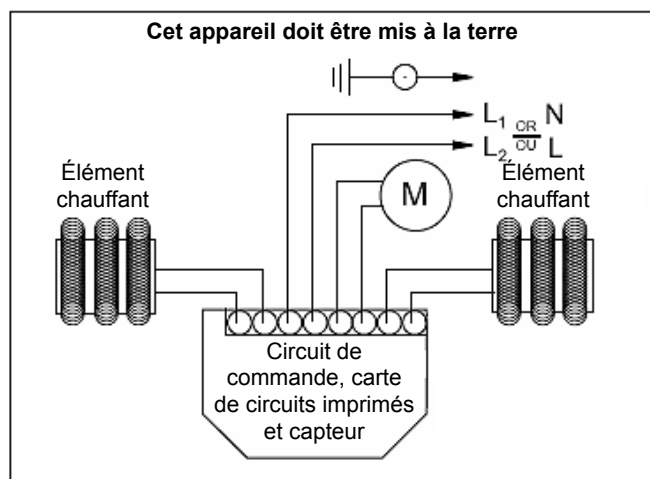
**REMARQUE :** La clé six pans de sécurité doit être conservée par le technicien agréé et non par l'utilisateur afin d'éviter toute réparation par un personnel non qualifié.

**TOUTE INSTALLATION DOIT ÊTRE EFFECTUÉE PAR UN ÉLECTRICIEN AGRÉÉ.**

**Tableau 1 – Hauteurs de montage recommandées**

Hauteurs de montage recommandées du sol au bas du sèche-mains	cm (po)
Toilettes pour hommes	126 (49)
Toilettes pour femmes	119 (47)
Toilettes pour enfants de 4 à 7 ans	88 (35)
Toilettes pour enfants de 8 à 10 ans	99 (39)
Toilettes pour enfants de 11 à 13 ans	109 (43)
Toilettes pour enfants de 14 à 16 ans	119 (47)
Hauteur de montage pour personnes handicapées	94 (37)

**Figure 1 – Schéma de câblage**



# Entretien

Un entretien adéquat doit être effectué sur les appareils au moins tous les 6 mois dans des conditions d'utilisation normale.

## NETTOYAGE

Le nettoyage et l'entretien doivent être effectués par un électricien agréé.

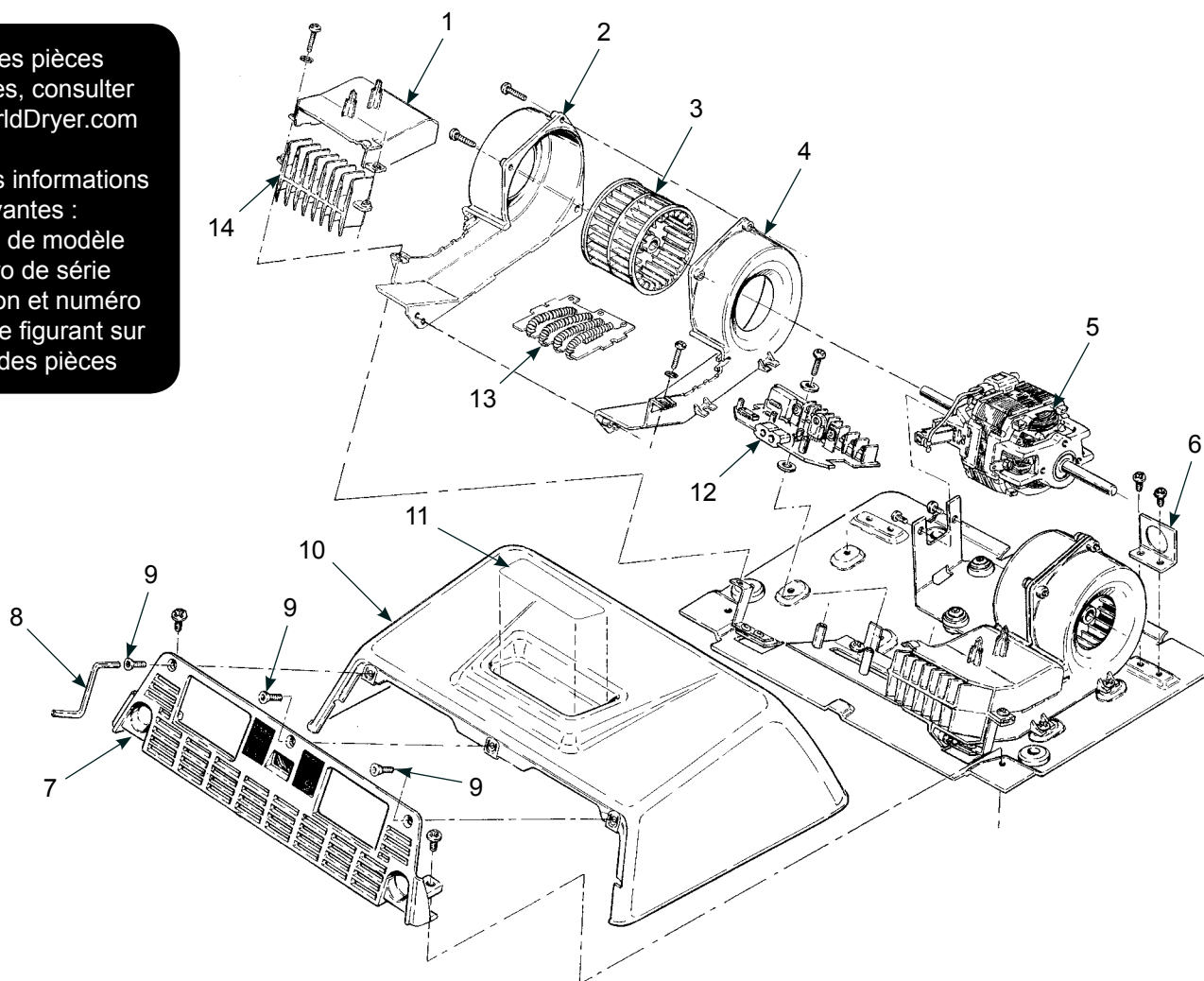
1. Débrancher l'alimentation électrique.
2. Utiliser la clé six pans de sécurité pour enlever les trois (3) vis de montage du capot.
3. Déposer le capot.
4. Éliminer toute poussière et peluches à l'intérieur du sèche-mains.
5. Remettre le capot en place. Ne pas trop serrer les vis.
6. Essuyer le capot avec un chiffon humide. Ne jamais utiliser de produits abrasifs pour nettoyer le capot.

# Liste des pièces détachées

Figure 2 – Liste des pièces détachées du sèche-mains à air chaud

Pour les pièces détachées, consulter [www.WorldDryer.com](http://www.WorldDryer.com)

Fournir les informations suivantes :  
 Numéro de modèle  
 Numéro de série  
 Description et numéro de la pièce figurant sur la liste des pièces



#	Description	Numéro de pièce	Qté
1	Couvercle du carter de la soufflante	47-006373	2
2	Carter de la soufflante côté gauche	47-006372	2
3	Roue de soufflante	22-006377	2
4	Carter de la soufflante côté droit	47-006371	2
5	Moteur	32-006738K	1
6	Support de la conduite	33-005870	1
7	Grille d'entrée, noire	28-006518K	1
8	Clé Allen inviolable	56-005034	1
9	Vis de capot	46-006393	3
10	Capot – acier émaillé	20-059200K	1
11	Autocollant du logo	38-006395	1
12	Circuit imprimé	16-055568K	1
13	Élément chauffant	21-055637K	2
14	Défecteur de sortie d'air	12-055881	2
Δ	Bornier	15-006531	1
Δ	Lentille du capteur	30-10065	1

(Δ) Non représenté.

# Tableau de dépannage

Le dépannage doit être effectué par un électricien agréé.

Symptôme	Cause(s) possible(s)	Action corrective
Le sèche-mains ne démarre pas	1. La carte de circuits imprimés est défectueuse	1a. S'assurer d'abord que le disjoncteur d'alimentation du sèche-mains fonctionne 1b. Si c'est le cas, couper l'alimentation et enlever le capot du sèche-mains. En prenant toutes les précautions nécessaires pour éviter un choc électrique, reconnecter l'alimentation et vérifier la tension sur les fils conducteurs d'entrée 1c. Si le sèche-mains est alimenté mais ne démarre pas, remplacer la carte de circuits imprimés
Le sèche-mains s'enclenche de lui-même, fonctionne constamment ou n'est pas assez sensible	1. Obstructions entre les « yeux » du capteur à infrarouge ou carte de circuits imprimés défectueuse	1a. S'assurer qu'il n'y a aucune obstruction sur la lentille ou devant la lentille du capteur à infrarouge 1b. Couper l'alimentation. Déposer le capot du sèche-mains et les vis qui fixent la carte de circuits imprimés. S'assurer qu'il n'y a aucune obstruction entre la lentille du capteur et les « yeux » du capteur à infrarouge 1c. Si le problème persiste, remplacer la carte de circuits imprimés
L'élément chauffant est chaud mais le moteur du ventilateur ne fonctionne pas	1. Obstructions dans les carters du ventilateur 2. Ventilateurs défectueux 3. Moteur défectueux	1. Couper l'alimentation. Déposer le capot du sèche-mains et vérifier que rien n'obstrue les carters du ventilateur 2. Tout ventilateur endommagé doit être remplacé 3. S'il n'y a aucune obstruction, remplacer le moteur
Le moteur du ventilateur fonctionne mais un des éléments chauffants n'est pas chaud	1. Fils desserrés ou endommagés, ou pièce défilante	1a. Couper l'alimentation et déposer le capot du sèche-mains. Vérifier si des fils sont desserrés ou endommagés. Déposer le capot d'accès au carter de la soufflante. Examiner l'élément chauffant pour vérifier qu'il ne présente ni trace de brûlure ni cassure. Tout élément chauffant endommagé doit être remplacé 1b. Si l'élément chauffant ne semble pas endommagé, le débrancher au niveau de la carte de circuits imprimés et vérifier la continuité sur les deux fils de l'élément chauffant. Un circuit ouvert indique que le système intégré de commande de limite de la température est endommagé. Dans un tel cas, remplacer l'élément chauffant

## Garantie limitée

**GARANTIE LIMITÉE DE WORLD DRYER.** Les modèles nord-américains de sèche-mains à air chaud World Dryer™ couverts dans ce manuel sont garantis par World Dryer Corporation au premier utilisateur contre tout défaut de fabrication ou de matériau dans des conditions d'utilisation normales durant deux ans à compter de la date d'achat. L'usure normale ou l'exploitation abusive de tout composant est exclue de la présente garantie. Toute pièce présentant des défauts de fabrication ou de matériau et retournée, port payé, sera réparée ou remplacée au choix de World à titre de recours exclusif. Voir les procédures de réclamations sous garantie sous la rubrique « PROMPT RÉGLEMENT », ci-après. La présente garantie donne aux acheteurs des droits légaux spécifiques qui varient selon les juridictions.

**LIMITES DE RESPONSABILITÉ.** Dans la mesure permise au titre de la loi applicable, World décline expressément toute responsabilité pour tout dommage accessoire et indirect. La responsabilité de World est dans tous les cas limitée et ne saurait dépasser le prix d'achat.

**CLAUSE D'EXONÉRATION DE GARANTIE.** World s'est diligemment efforcée d'illustrer et de décrire de manière exacte les produits de cette brochure. Cependant, ces illustrations et ces descriptions ne sont données qu'à titre d'identification et ne garantissent pas expressément ou implicitement que les produits sont de QUALITÉ MARCHANDE ou ADAPTÉS À UN USAGE PARTICULIER, ou qu'ils seront nécessairement conformes aux illustrations ou aux descriptions fournies. Sauf dispositions contraires ci-dessous, aucune garantie ou affirmation de fait, expresse ou implicite, autre que celle énoncée à la rubrique « GARANTIE LIMITÉE » ci-dessus, n'est fournie ou autorisée par World.

**ADÉQUATION DU PRODUIT.** Dans de nombreuses juridictions, les normes et les réglementations qui régissent les ventes, la construction, l'installation et/ou l'utilisation de produits pour certains usages peuvent être différentes de celles de régions avoisinantes. Bien que World se soit efforcée de rendre ses produits conformes à ces codes, la société ne peut en garantir la conformité et ne saurait être responsable de la manière dont les produits sont installés ou utilisés. Avant d'acheter et d'utiliser un produit, il est conseillé d'étudier son application ainsi que les normes et réglementations nationales et locales, et de s'assurer de la conformité à ces normes de ces produits, de leur installation et de leur utilisation.

Certains aspects des dénis de garantie ne sont pas applicables aux produits de consommation. Par exemple, (a) certaines juridictions n'autorisent pas l'exclusion ou la limitation des dommages accessoires ou indirects, de sorte que la limitation ou l'exclusion susmentionnée peut ne pas s'appliquer à votre cas; (b) en outre, certaines juridictions n'autorisent pas de limite sur la durée d'une garantie implicite, par conséquent la limite susmentionnée peut ne pas s'appliquer à votre cas; et (c) en vertu de la loi, durant la période de garantie limitée, toute garantie implicite de qualité marchande ou d'adéquation à un usage particulier applicable aux produits de consommation achetés par des consommateurs, est susceptible de ne pas pouvoir être exclue ou autrement déniée.

Fabriquée par World Dryer Corporation, Berkeley, Illinois 60163 É.-U.

**PROMPT RÉGLEMENT.** World s'efforcera en toute bonne foi de faire les rectifications ou autres ajustements prévus pour tout produit qui s'avère défectueux durant la période de garantie limitée. Pour tout produit jugé défectueux durant la période de garantie limitée, contacter tout d'abord le concessionnaire où l'appareil a été acheté. Le concessionnaire fournira des instructions supplémentaires. S'il est impossible de résoudre le problème de façon satisfaisante, écrire à World, en indiquant le nom et l'adresse du concessionnaire, la date et le numéro de la facture du concessionnaire, ainsi que la nature du défaut constaté. Le titre et le risque de perte passent à l'acheteur au moment de la livraison par le transporteur. Si le produit a été endommagé pendant le transport, une réclamation doit être adressée auprès du transporteur.



340 County Line Road  
Bensenville, IL 60106 U.S.A.  
800-323-0701  
www.worlddryer.com