

airforce[®]

High Performance and Efficiency



World Dryer's airforce dries hands quickly using ambient technology...and considerably less energy. The multiport nozzle offers an extra level of comfort and control.

Building owners can install multiple dryers on a single circuit to reduce costs upfront, while the easy-to-maintain design saves even more over time.

Antimicrobial technology¹ helps promote a cleaner environment. The dryer's intuitive touchless activation takes sanitation one step further.

The airforce hand dryer delivers high performance without the additional energy, maintenance or manual operation.



Multiple port diffuser nozzle maximizes drying effectiveness and comfort



Fast Dry Time

Effective airflow dries hands thoroughly in 12 seconds.



Ambient Temperature

Uses up to 80% less energy than conventional hand dryers.



Cleaner Environment

Antimicrobial technology protects the treated surfaces on the dryer by inhibiting the growth of bacteria, mold and fungus that can cause stains, odors or deterioration.

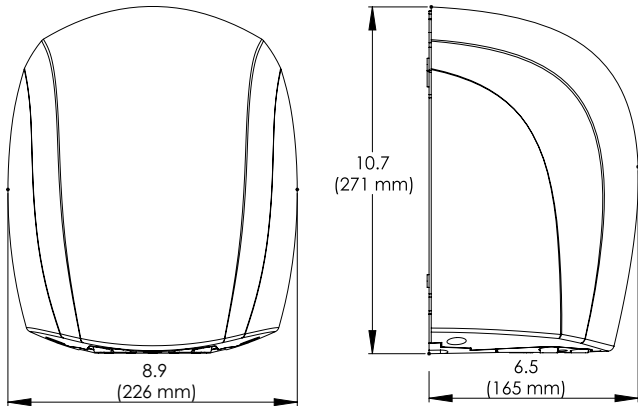


Exclusive Design

Compact size fits within confined environments. Modular design offers easier maintenance, reducing downtime.

Ambient for Max Energy Savings

Specifications



COVER MATERIAL	COVER FINISH / KIT	110-120 V	208-240 V	220-240 V	UNIT WEIGHT	SHIPPING WEIGHT	UNIT SIZE (HXWXD) INCH [MM]	SHIPPING SIZE (HXWXD) INCH [MM]
Aluminum	White	J-974	J4-974	J48-974	7.3 lb / 3.3 kg	8.7 lb / 3.9 kg	10.7" x 8.9" x 6.5" [272 x 226 x 165]	14.5" x 11.5" x 8.25" [368 x 292 x 210]
	Polished	J-970	J4-970	J48-970				
	Brushed	J-971	-	J48-971				
Stainless Steel	Black	J-162	J4-162	J48-162	7.5 lb / 3.4 kg	9.0 lb / 4.1 kg	10.7" x 8.9" x 6.5" [272 x 226 x 165]	14.5" x 11.5" x 8.25" [368 x 292 x 210]
	Polished	J-972	-	J48-972				
	Brushed	J-973	-	J48-973				
	Brushed			KJR-973K-1	8.4 lb / 3.8 kg	11.9 lb / 5.4 kg	25.0" x 15.0" x 4.0" [635 x 381 x 102]	30" x 15" x 7.88" [760 x 380 x 200]

	100-240 V	208-240 V	220-240 V
Amps	9.6	4.8	4.8
Watts	1100	1100	1100
Hz	60	60	50



Polished

Brushed

White

Black

Chrome

Choose an airforce design for your restroom environment. World Dryer puts visionary products within arm's reach.

¹ Protects the treated surfaces on the dryer by inhibiting the growth of bacteria, mold and fungus that can cause stains, odors or deterioration.