



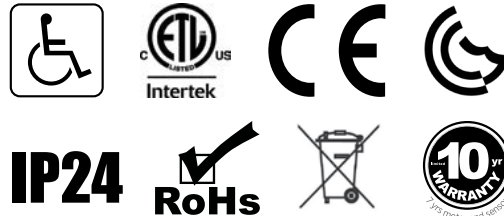
VERDEdri®

WORLD DRYER Hi-Speed Surface-Mounted ADA Compliant Hand Dryers

VERDEdri is a high-speed, surface-mounted ADA compliant hand dryer with flexible controls and hygienic features. Combining simple, low cost ADA compliant installation, outstanding energy efficiency and extended motor life, VERDEdri provides facilities with low operating cost, long reliable service life and an attractive return on investment.

Product Benefits

- 12 second dry time
- Surface-mounted ADA compliance simplifies installation and reduces installation costs
- Energy efficient - low operating cost
- Adjustable speed and sound controls
- Extended life motor with replaceable brushes maximizes service life and minimizes maintenance downtime
- HEPA filter eliminates 99.97% of particles, 0.3µm or larger, cleaning air before it reaches hands
- Antimicrobial technology inhibits the growth of bacteria, mold and fungus extending the dryer's service life
- Universal voltage – accepts 110-277 VAC input
- IP24 rating – protection against harmful water ingress
- Optional adapter kit¹ for top-entry surface-mounted conduit
- Durable and vandal resistant



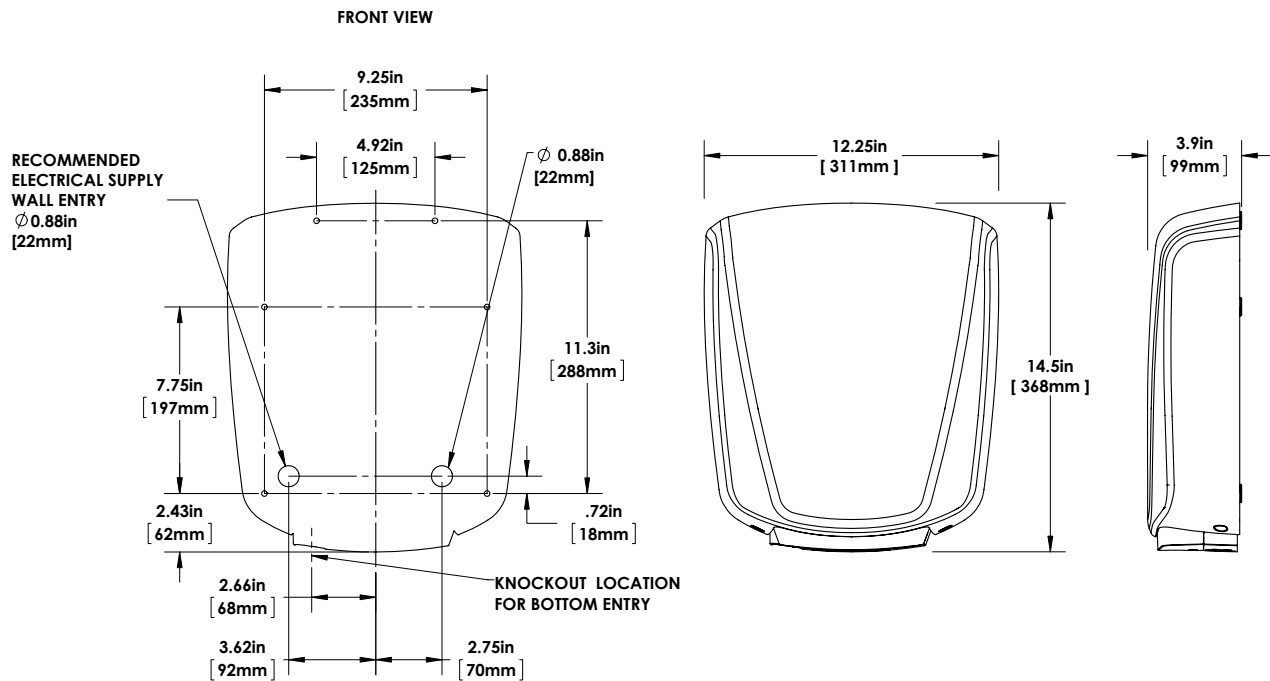
PERFORMANCE	
Dry Time:	12 seconds (adjustable)
Air Velocity:	150 – 225 mph (13,200 – 19,800 LFM)
Air Flow:	42 – 64 CFM
Air Temperature: (at 70° room temperature)	130°F
Sound at 79 in (2 m)	69 dBA

^{*}Sound measured at 79 in (2 m) in semi-anechoic chamber.

ELECTRICAL	
Voltage:	120 – 277 VAC (universal)
Power:	120 VAC 950 Watts
	208 – 240 VAC 950 Watts
	277 VAC 1150 Watts
Frequency:	50 / 60 Hz
Recommended Circuit:	Dedicated 15 Amp

¹The top entry adapter is used only where top entry surface mounted electrical connections are required. To meet ADA requirements when installed with the top entry adapter, do not install in walks, halls, corridors, passageways or aisles.

CONSTRUCTION	
Cover Options (Material / Finish)	Die Cast Aluminum (White) Die Cast Aluminum (Black) Stainless Steel (Brushed Finish) Stainless Steel (Polished Finish)
Motor	Thermally-protected universal type, through-flow discharge vacuum type, 5/8 HP, 31,000 RPM
Heating Element	Nichrome wire construction, 475 watts, with auto-reset thermal-protector so power is disconnected if air is not flowing
Electronic Controls	Universal voltage (120 – 277 V)
Filtration	HEPA Filter (standard – eliminates 99.97% particles 0.3 microns or larger) (Accessory standard particulate filter available)
Speed Control	3 Speed Selector Switch
Activation	Automatic touch-free infrared activation with 45 second vandal-resistant lock out feature
Enclosure Security	Cover attached with tamper-resistant screws; security wrench included.
Electrical Connection Access	Access for wall mounted junction box and for bottom-entry surface mounted conduit (Accessory adapter ¹ available for top-entry surface mounted conduit)
10 Year Limited Warranty	Warranted by the manufacturer to be free from defects in material workmanship for a period of ten (10) years from the date of purchase. See warranty statement for limitations and exclusions.



Placement Instruction

- Hand dryers should be spaced at least 2 feet apart, near but not over the washbasin
- In congested areas, dryers should be located to create a flow from wash basin to dryer to exit
- VERDEdri should be mounted at least 18" above or away from reflective surfaces, which may interfere with the automatic sensor operation.
- Dryer Quantity Recommendation:
 - Average Traffic: 1 dryer per 2 wash basins
 - Heavy Traffic: 1 dryer per wash basin
 - Industrial 54" Circular wash fountains: 4 dryers per sink

- Recommended mounting heights from floor to dryer bottom edge

Men's washrooms	46" (117 cm)
Women's washrooms	44" (112 cm)
Children's washrooms, ages 4-7	32" (81 cm)
Children's washrooms, ages 7-10	36" (91 cm)
Children's washrooms, ages 10-13	40" (102 cm)
Children's washrooms, ages 13-17	44" (112 cm)
Handicap Mounting Height	37" (94 cm)

Installation Guide

- VERDEdri hand dryers require a dedicated circuit and must be properly grounded
- One side of dryer should be mounted to a stud

Cover Material	Cover Finish / Kit	110-120 / 208 / 220-277 V	Unit Weight	Shipping Weight	Unit Size (HxWxD) inch/mm	Shipping Size (HxWxD) inch/mm
Aluminum	White	Q-974A2	8.3 lbs / 3.7 kgs	10.7 lbs / 4.8 kgs	14.5" x 12.25" x 3.9" 368 x 311 x 100	17.3" x 15.2" x 7.5" 440 x 385 x 190
Aluminum	Black	Q-162A2	8.3 lbs / 3.7 kgs	10.7 lbs / 4.8 kgs	14.5" x 12.25" x 3.9" 368 x 311 x 100	17.3" x 15.2" x 7.5" 440 x 385 x 190
Stainless Steel	Polished	Q-972A2	9.9 lbs / 4.4 kgs	12.2 lbs / 5.5 kgs	14.5" x 12.25" x 3.9" 368 x 311 x 100	17.3" x 15.2" x 7.5" 440 x 385 x 190
Stainless Steel	Brushed	Q-973A2	9.9 lbs / 4.4 kgs	12.2 lbs / 5.5 kgs	14.5" x 12.25" x 3.9" 368 x 311 x 100	17.3" x 15.2" x 7.5" 440 x 385 x 190
Optional Top Entry Adapter Kit		17-10504K	3.8 lbs / 1.7 kgs	6.2 lbs / 2.8 kgs	16" x 13.8" x 1.2" 406 x 350 x 30	16.9" x 14.8" x 3.5" 430 x 375 x 90
HEPA Filter		93-10490K	0.4 lbs / 0.9 kgs	0.7 lbs / 1.5 kgs	7.7" x 3.5" x 2.0" 195 x 90 x 50	9.5" x 3.5" x 3.5" 240 x 90 x 90
Accessory - Non-HEPA		93-10506K	0.4 lbs / 0.9 kgs	0.7 lbs / 1.5 kgs	7.7" x 2.0" x 2.0" 195 x 50 x 50	7.9" x 2.8" x 2.4" 200 x 70 x 60
Coarse Filter		93-10496	0.1 lbs / 0.05 kgs	0.5 lbs / 0.23 kgs	7.5" x 2.0" x 0.6" 190 x 52 x 16	10" x 5.0" x 1.0" 254 x 127 x 25